

# Windshield Cleaning Instructions

---

## Cleaning Instructions & Caution

By using the proper cleaning methods and cleaning materials, you can prolong the useful life of your plastic windshield significantly. Adversely, using the incorrect techniques or cleaning materials and you could ruin your windshield in a single cleaning. Please read these instructions completely to prevent possible damage to your new Windshield.

### Cleaning

1. *GENTLY* rinse your windshield completely with ample amounts of water, to remove any debris collected on it, then use a soft cloth or sponge and a mild detergent or soap to wash away any remaining film or dirt. Luke warm water tends to offer the best results. It is best to always wipe from top to bottom you clean. Never use a circular pattern or change directions each time as this will cause a fog like result over time. Always wipe in one direction to dislodge and remove any dirt from your windshield.
2. Next, use an ample amount of water to rinse the windshield, removing any remaining soap or detergent.

**Note: Never "scrub" vigorously or with heavy pressure against the windshield. This will severely scratch the windshield reducing visibility**

3. Finally, *GENTLY* dry the windshield using a separate clean soft cloth, also wiping in the same top to bottom direction or use a gentle-patting motion to help absorb remaining spots of water droplets.

**NOTE: Never use paper towels as they can be VERY abrasive.**

**Never use abrasives or highly alkaline cleaners**

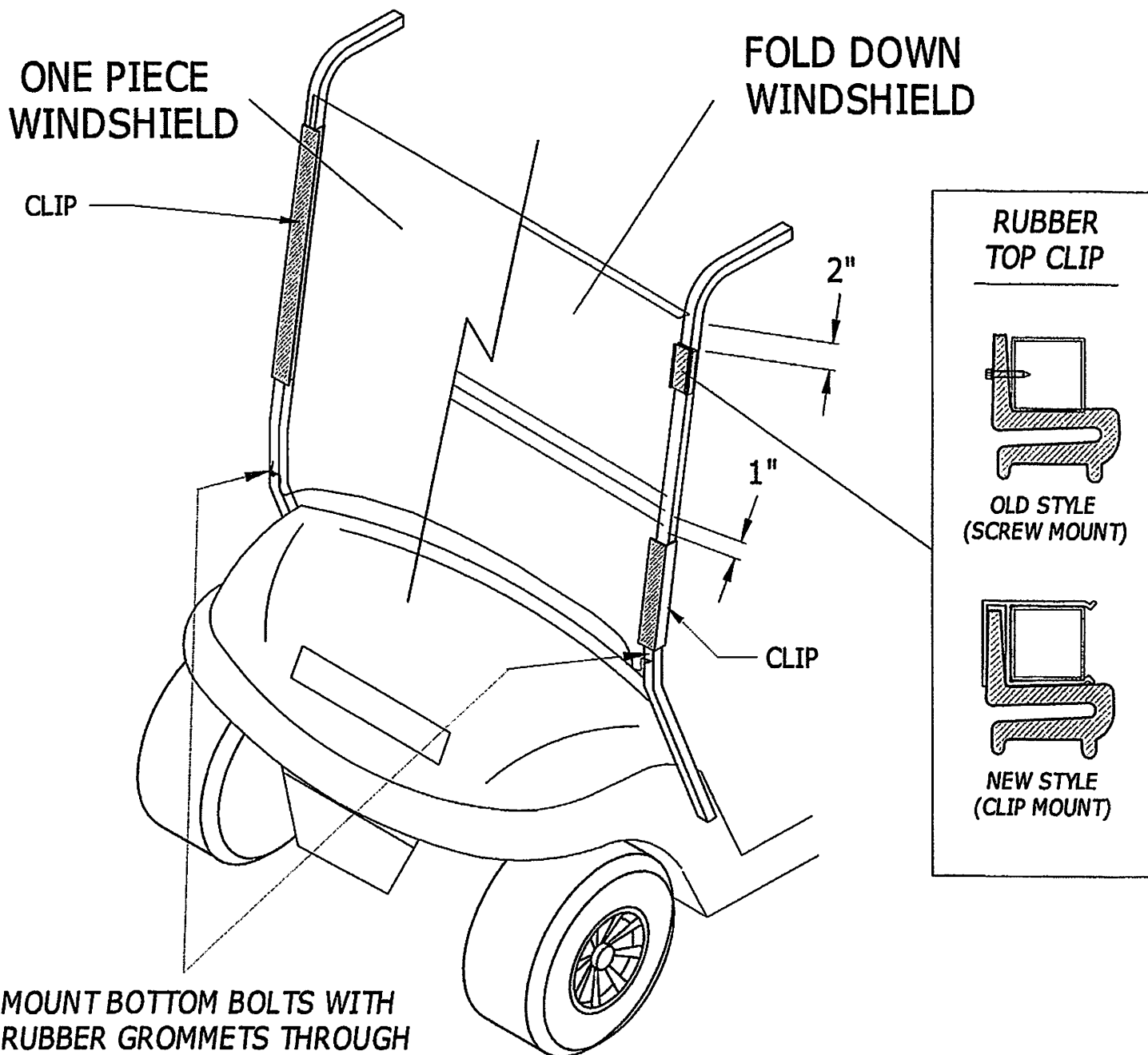
**Never scrape with razor blades or sharp objects**

**Never use products which have benzene leaded gasoline, acetone or carbon tetrachloride chemicals included in them.**

**Never clean in the hot sun or at elevated temperatures.**

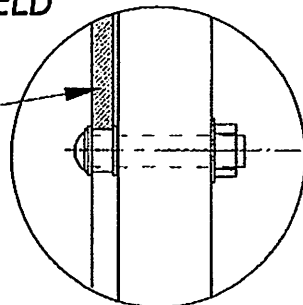
# ASSEMBLY INSTRUCTIONS

## CLUB CAR PRECEDENT WINDSHIELD



MOUNT BOTTOM BOLTS WITH RUBBER GROMMETS THROUGH HOLES IN FRAME AS SHOWN. LOWER EDGE OF WINDSHIELD RESTS ON GROMMETS.

WINDSHIELD



FOR FOLD DOWN WINDSHIELD; MOUNT (1) RUBBER TOP CLIP AS SHOWN ONTO FRONT/INSIDE OF BOTH SIDES OF WINDSHIELD FRAME TO CAPTURE TOP HALF OF WINDSHIELD.