

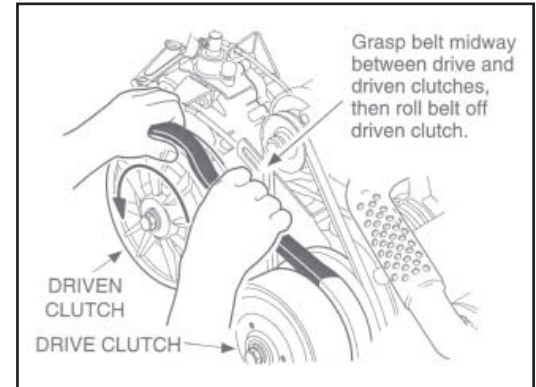
STQ CC 1002K POWER KIT

For Club Car 1986-2007 DS & Carryall Models and 2004-up Club Car Precedent Models Installation Instructions



Driven Belt & Driven Clutch Removal:

1) Remove the belt as shown in picture (A). Take care as not to pinch fingers or hands during the rolling process. As with any mechanical installation it is a must to wear safety glasses. Remove the 5/16" bolt that is fastened to the driven clutch. Retain the bolt, washer and key for installation later. The driven clutch should now slide off the shaft and in rare cases a prying device or puller may be needed. 90 degree snap ring pliers will be used to remove the existing snap ring. Again, make sure your safety glasses are in place and do not lose the snap ring, it will be reused. Using a hammer with light tapping on the spring cup holder the cup holder should come off with very little effort. Clean all the parts and look for worn or defective parts. If all looks okay, continue to the next step.

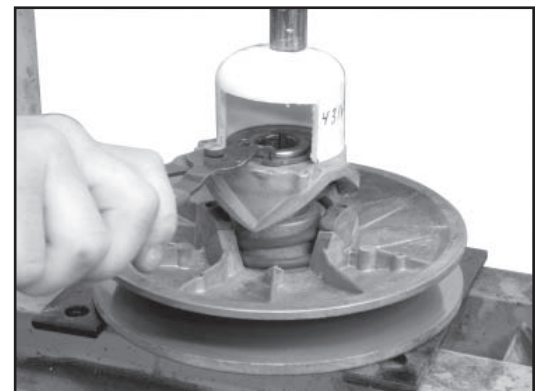


A. Removing the Belt

New Power Clutch Spring Installation:

NOTE: New clutch spring does not have torsion tabs.

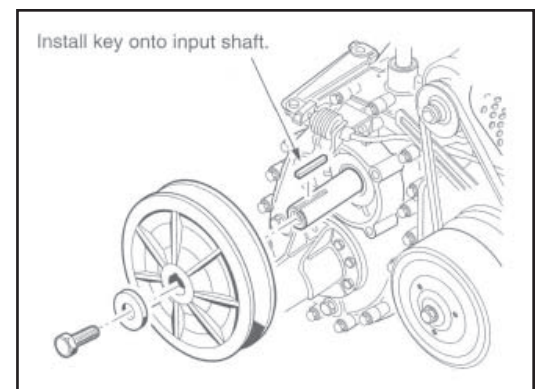
1) Install the spring and cup in place and using the pressing tool (white PVC cap) press the spring and cup down far enough to install the snap ring. Again, make sure your safety glasses are in place. See picture (B). A press works well for this and or a (weekend warrior) method of a 2x4 pressing down with leverage. Secure the snap ring with the 90 degree snap ring pliers and make sure it seats all the way.



B. Installing the Snap Ring

Driven Clutch and Driven Belt Reinstallation:

1) **NOTE: Make sure your safety glasses are in during this procedure.** Put the key in place and slide the driven clutch onto the shaft. Install the flat washer and 5/16" bolt and torque to 14 foot pounds (**picture C**). Finally, follow the instructions from the first section (Driven Belt & Driven Clutch Removal) on how to reinstall your driven belt.



C. Clutch Installation

Buggies Unlimited
1-888-444-9994
www.buggiesunlimited.com