

## GENERAL

|                     |               |
|---------------------|---------------|
| Nominal Voltage     | 38.4V         |
| Working Voltage     | 32.4V - 43.8V |
| Recommended Voltage | 36.0V - 42.6V |
| Cell Count          | 12            |
| Nominal Capacity    | 105Ah         |
| Energy              | 4,032Wh       |
| Reserve @25A        | 252 Minutes   |
| Self Discharge      | 1% Per Month  |
| IP Rating           | IP65          |

## CHARGING

|                         |              |
|-------------------------|--------------|
| Recom. Charging Current | <52A         |
| Max Charging Current    | 105A         |
| Bulk/Absorb Voltage     | 42.6V        |
| Float Voltage           | 42.0V or Off |
| BMS High Voltage Cutoff | 44.4V        |
| Charging Temp. Range    | 32F to 130F  |

## DISCHARGING

|                          |              |
|--------------------------|--------------|
| Max Continuous Discharge | 175A         |
| Max Discharge 3 Sec      | 500A         |
| Max Discharge 30 Sec     | 300A         |
| Recom. Voltage Cutoff    | 36.0V        |
| BMS Voltage Cutoff       | 32.4V        |
| BMS Voltage Recovery     | 34.8V        |
| Discharge Temp Range     | -10F to 140F |

## COMMUNICATION

|           |     |
|-----------|-----|
| Bluetooth | Yes |
| CAN       | Yes |



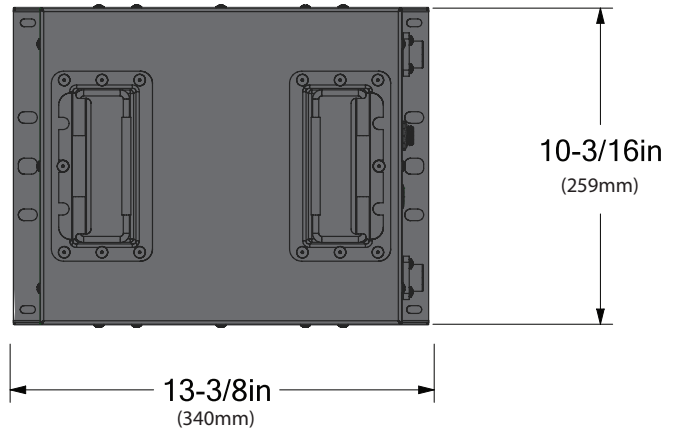
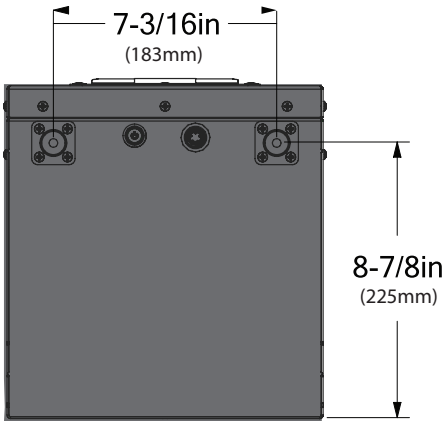
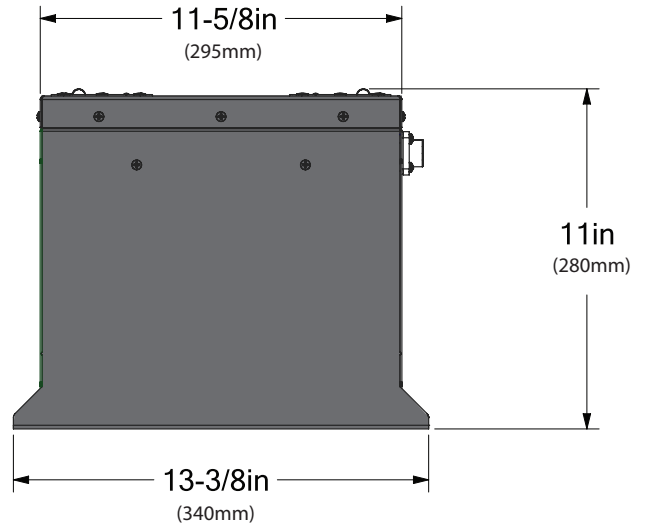
## SAFETY

|                            |                     |
|----------------------------|---------------------|
| Charging Freeze Protection | Yes, Under 32F      |
| Pack Over-Voltage          | Yes                 |
| Cell Balancing             | Yes                 |
| Pack Under-Voltage         | Yes                 |
| Cell Under-Voltage         | Yes                 |
| Cell Over-Temp             | Yes                 |
| BMS Over-Temp              | Yes                 |
| Short Circuit/Over Current | Yes                 |
| Certifications             | UN38.3, UL1642 Cell |

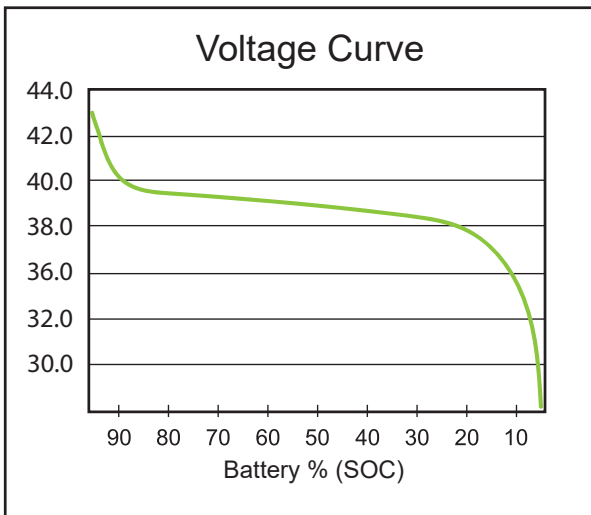
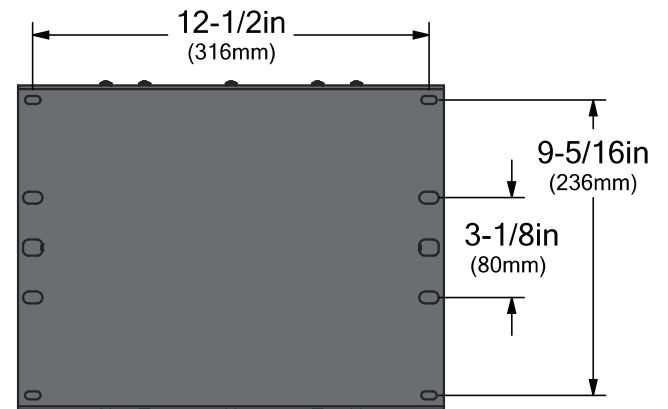
## PHYSICAL

|                      |                        |
|----------------------|------------------------|
| Cell Chemistry       | Lithium Iron Phosphate |
| Cell Type            | Prismatic              |
| Cell Configuration   | 1P12S                  |
| Series Connectable   | No                     |
| Parallel Connectable | Yes, up to 2           |
| Weight               | 70 lbs (42.6Kg)        |
| Dimension LxWxH      | 13.37"X10.18"X11"      |
| Terminal Type        | M8 Female              |
| Shell Type           | Powder Coated Steel    |
| UN Shipping Class    | UN 3480                |

**DIMENSIONS**



**Torque Specs**  
M8 Terminal Bolts - 6ft/lbs (72 in/lbs)





# READ BEFORE INSTALL!



HEAVY  
TEAM LIFT REQUIRED



HIGH VOLTAGE  
HANDLE WITH CARE



DO NOT PRESSURE  
WASH OR SUBMERGE



CHARGE BATTERY  
BEFORE USE

## WARNINGS

- ⚡ High Voltage. DO NOT install or service this battery unless you are properly trained.
- ⚡ Use only with components that have the same voltage and current rating as the battery.
- DO NOT touch or connect to the terminals unless the battery is manually turned off.
- DO NOT open or attempt to service the battery, there are no user serviceable parts inside.

## USE & CARE

- Charge the battery every night to ensure it is always fully charged and ready to use.
- Batteries will not charge if the internal battery temperature falls below 34F.
- DO NOT pressure wash, submerge, or use chemical agents to clean your battery.
- Clean the battery using a damp cloth that does not include chemical agents.



For additional product info, user manuals, user guides, and warranty information, please visit <https://ecobattery.com/quickstart> or scan the QR code.