

DATA SHEET

51.2V 105AH THRU HOLE



GENERAL

| | |
|---------------------|---------------|
| Nominal Voltage | 51.2V |
| Working Voltage | 43.2V - 58.4V |
| Recommended Voltage | 48.0V - 57.0V |
| Cells | 16 |
| Nominal Capacity | 105Ah |
| Energy | 5,376Wh |
| Reserve @25A | 252 Minutes |
| Self Discharge | 1% Per Month |
| IP Rating | IP65 |

CHARGING

| | |
|-------------------------|--------------|
| Recom. Charging Current | <52A |
| Max Charging Current | 105A |
| Bulk/Absorb Voltage | 57.0V |
| Float Voltage | 54.0V or Off |
| BMS High Voltage Cutoff | 59.2V |
| Charging Temp. Range | 34F to 130F |

PHYSICAL

| | |
|----------------------|------------------------|
| Cell Chemistry | Lithium Iron Phosphate |
| Cell Type | Prismatic |
| Cell Configuration | 1P16S |
| Series Connectable | No |
| Parallel Connectable | Yes, up to 2 |
| Weight | 94 lbs (42.6Kg) |
| Dimension LxWxH | 13.14"X12.24"X10.15" |
| Terminal Type | M8 Female |
| Shell Type | Powder Coated Steel |
| UN Shipping Class | UN 3480 |

SAFETY

| | |
|----------------------------|---------------------|
| Charging Freeze Protection | Yes, Under 34F |
| Pack Over-Voltage | Yes |
| Cell Balancing | Yes |
| Pack Under-Voltage | Yes |
| Cell Under-Voltage | Yes |
| Cell Over-Temp | Yes |
| BMS Over-Temp | Yes |
| Short Circuit/Over Current | Yes |
| Certifications | UN38.3, UL1642 Cell |

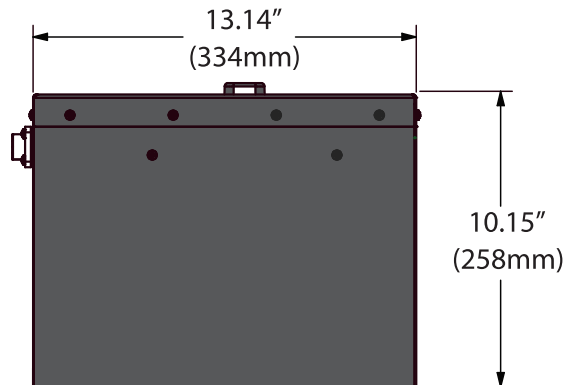
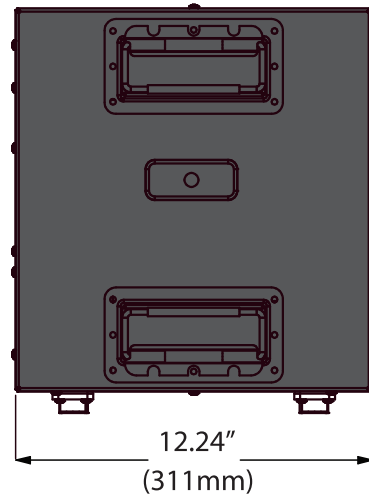
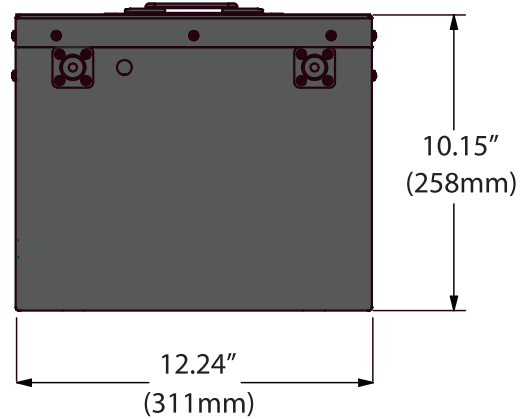
DISCHARGING

| | |
|--------------------------|--------------|
| Max Continuous Discharge | 175A |
| Max Discharge 3 Sec | 500A |
| Max Discharge 30 Sec | 300A |
| Recom. Voltage Cutoff | 48.0V |
| BMS Voltage Cutoff | 43.2V |
| BMS Voltage Recovery | 46.4V |
| Discharge Temp Range | -10F to 140F |

COMMUNICATION

| | |
|-----------|-----|
| Bluetooth | Yes |
| CAN | Yes |

DIMENSIONS



Torque Specs

M8 Terminal Bolts
6ft/lbs (72 in/lbs)

3/8 - 14 Top Mount Nut
10ft/lbs (120 in/lbs)

