



RHOX

Rugged parts for your ride.

LGT-401L

Yamaha Drive2

LED Light Kit with RGBW Accent Lights Installation Instructions



Caution: Please read through the instructions carefully. Before starting this project, remove the system's positive and negative connections from the battery or battery pack. This kit is designed for 12-48V operation only. Operating this kit at a higher voltage will void any and all warranties. Add-on accessories for this light kit may not be rated for any voltage over 12V DC and can be damaged if installed at a higher voltage. Look behind each drill location **BEFORE YOU DRILL**. Installer is responsible for damage (i.e. drilling into a wiring harness, battery, fuel tank etc.).

Table of Contents

1) Headlight & Taillight Preparation	Page 4
2) Wire Harness Installation	Page 5
3) Accent Lighting Options	Page 7
4) Headlight Installation	Page 9
5) Taillight Installation	Page 10
6) Power Connections	Page 10

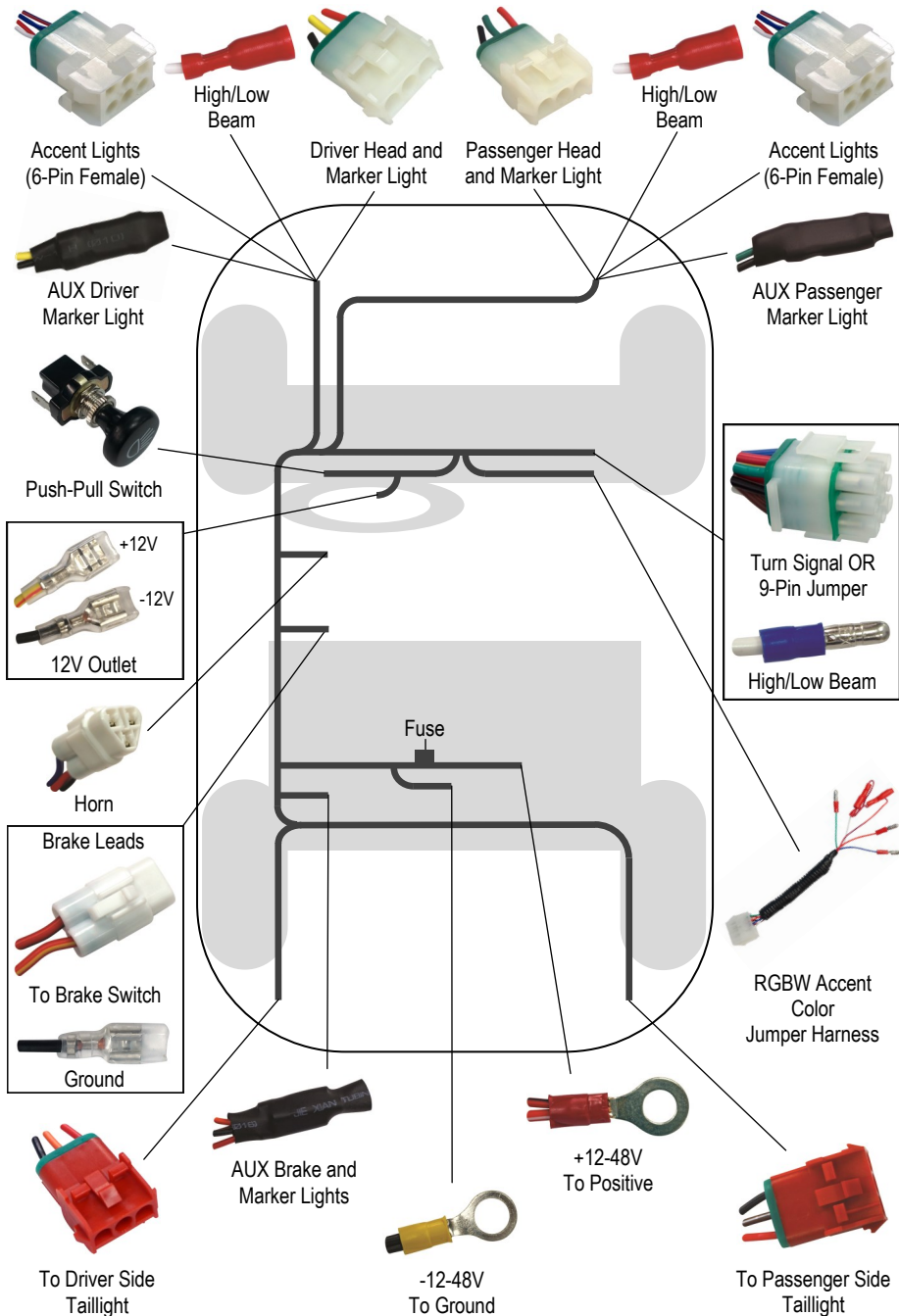
Optional Accessory Installation Instructions

1) Turn Signal Assemblies	Page 11
LGT-T1 (LGT-143)	Basic Turn Signal Switch
LGT-T2 (LGT-112)	Standard Turn Signal Switch w/ Horn Button
LGT-T3 (LGT-132A)	Deluxe Turn Signal Switch w/ Horn Button
2) Horns	Page 13
3) 12 Volt Receptacle and Dual USB Outlet	Page 14
ACC-0058	12 Volt Outlet
ACC-0097	Dual USB Outlet
4) Brake Light Switches	Page 16
LGT-B1 (LGT-138)	Brake Pad Light Switch, Universal Pedal Mount
LGT-B12	Brake Switch, Linkage Activated w/ Time Delay

Tools Needed for Installation

- Screwdriver (Phillips & Flat Head)
- Sockets & Open Ended Wrenches (7/16", 1/2")
- Drill, Drill Bits & Hole Saws (1/8", 3/16", 7/32", 1/4", 5/8", 3/4", 7/16", 1", 1-1/8)
- Rivet Gun
- Rivet Removal Tool
- Jig Saw or Rotary Tool
- Sandpaper or File
- Painter's Tape or Masking Tape
- Marking Device
- Utility Knife

Wire Harness Overview

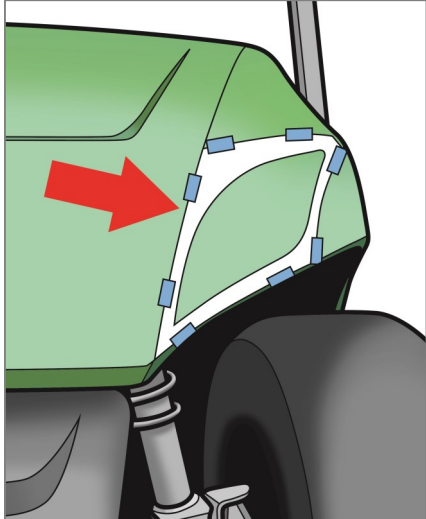


Before You Start

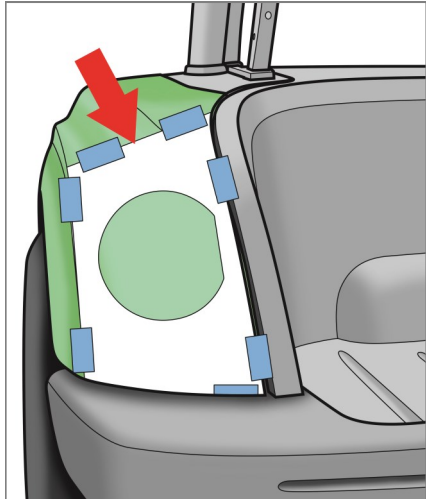
1. Turn Key OFF.
2. Place Tow/Run Switch in Tow if equipped.
3. Remove the system's positive and negative connections from the battery or battery pack.
4. Engage the parking brake.

Headlight & Taillight Preparation

Headlight Preparation

1. Cut out the headlight template following the guidelines.
2. Place the template on the driver side front cowl and align it with the cowl mold lines and bottom edge of the cowl. Secure with painter's tape. 
3. Trace the inside contour of the template using a marking device.

NOTE: To prevent chipped paint on a painted cowl, tape over the drawn line and redraw over the tape using the template.

4. Using a jig saw or rotary tool, cut out the **INSIDE** of the marked area. Test fit the headlight and make any adjustments before removing the tape. Once the light fits, remove the tape and sand any rough edges.
5. Flip the template over and repeat Steps 2-4 for the passenger side. 

Taillight Preparation

1. Cut out the taillight template following the guidelines.
2. Place the template on the driver side rear body and align it with the body lines and edge of the rear body. Secure the template with painter's tape.

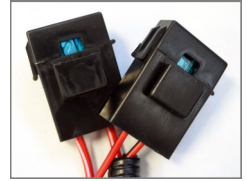
- Trace the inside contour of the template using a marking device.

NOTE: To prevent chipped paint on a painted body, tape over the drawn line and redraw over the tape using the template.

- Using a jig saw or rotary tool, cut out the INSIDE of the marked area. Test fit the taillight and make any adjustments before removing the tape. Once the light fits, remove the tape and sand any rough edges.
- Flip the template over and repeat Steps 2-4 for the passenger side.

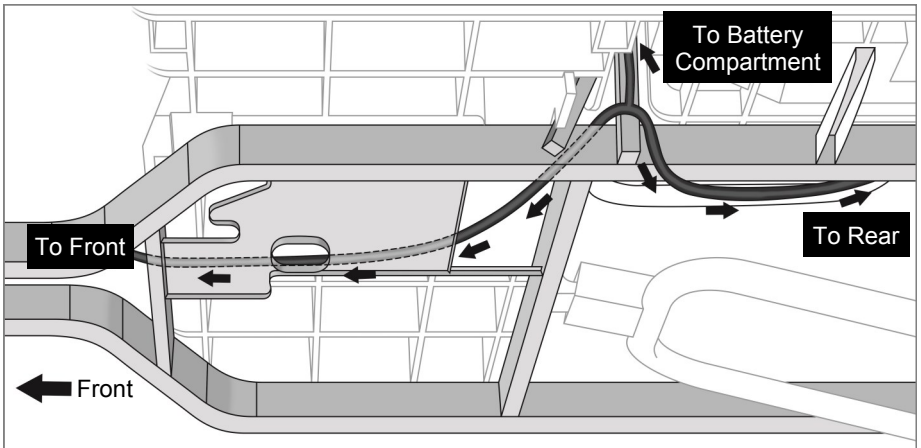
Wire Harness Installation

- Lay the harness parallel to the driver side of the cart to help with orientation of the harness before installation.
- Disconnect the fuse holders from each other.



- From underneath the driver side of the cart, gently run the battery connections and fuses into the battery compartment. Make sure the leads can reach the appropriate terminals. Set the leads to the side and away from the terminals.

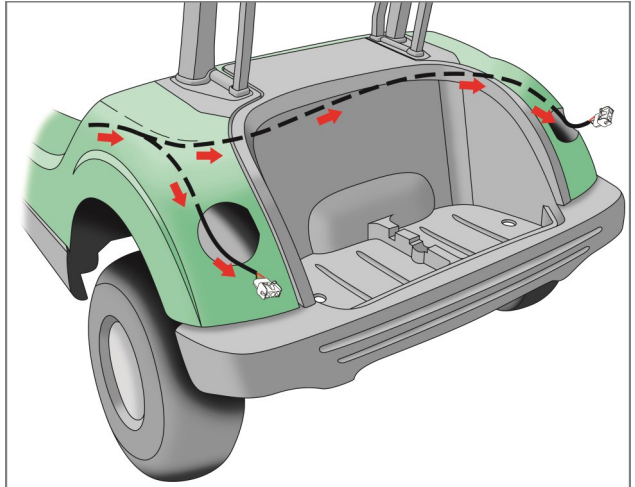
NOTE: Leads will be connected after completing the installation of the harness, lights and/or accessories.



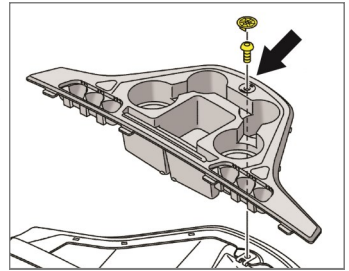
- Feed the rear portion of the harness through the cart so the taillight connections reach the holes in the rear body. The harness can be run parallel with the cart's harness for a cleaner installation.

The shorter cable will rest on the top of the driver side wheel well.

Route the longer cable behind the battery compartment and over the passenger side wheel well.



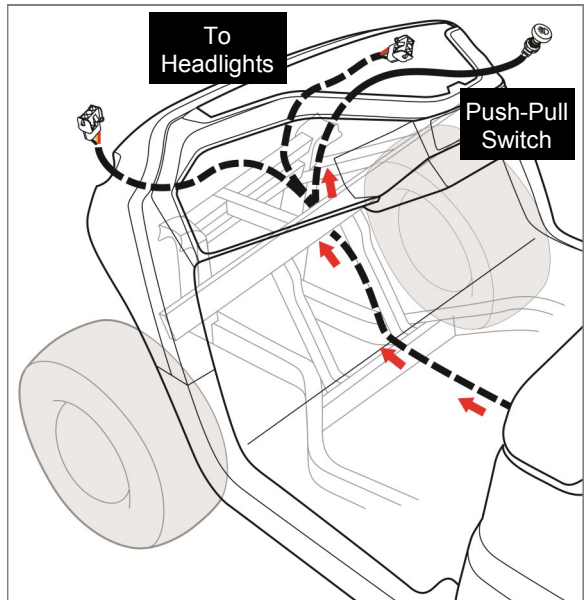
5. Make sure the taillight leads reach the holes in the rear body. Once the leads are in position, use cable ties to secure the harness in place and away from any moving parts or areas where it can be pinched.
6. Carefully remove the dash insert (cup holder area) from the dash. Retain hardware.



7. Run the front portion of the harness over the cross member in the frame and towards the front of the cart.

8. Once the harness is through the opening, run the driver and passenger headlight connectors up and over the front suspension and towards the openings in the front cowl.

9. Route the push-pull switch and other leads up and into the cup holder area.



10. Once the harness is in place, use cable ties to secure the harness to the underside of the cart and away from any moving parts or pinch points. If not installing the horn or brakes, secure the leads with the rest of the harness.

11. Configure the jumper harness on the turn signal connector:

If installing a turn signal, remove the jumper from the 9-pin connector and discard.

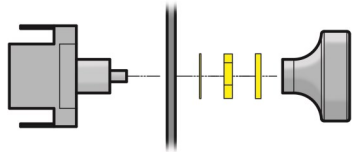
If installing brakes without a turn signal, switch the (2) male 2-pin connectors. Leave the jumper harness connected to the 9-pin connector.



Push-Pull Switch Installation

NOTE: If installing the LGT-132A (T3) deluxe turn signal switch or a key switch with ON/OFF light capability, do NOT install the push-pull switch.

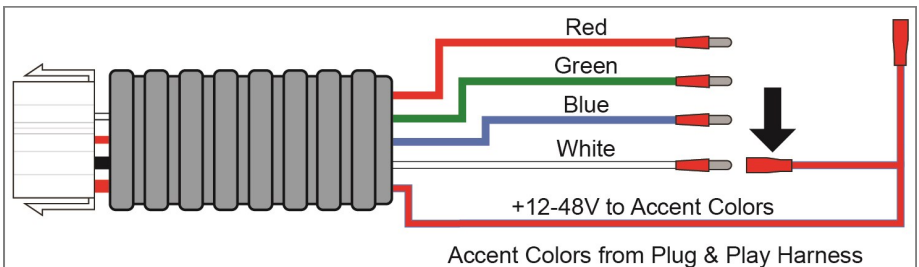
1. If powering the lights with a push-pull switch, find a convenient location on the dash to mount the push-pull switch. Mark the center of the mounting location with a marking device.
2. Carefully drill a 7/16" hole at the marked location. File any rough edges.
3. Remove the knob, retaining nuts and lock washer from the push-pull switch and insert the shaft of the switch into the newly drilled hole.
4. Secure using the lock washer and retaining nuts. Reattach knob.



Accent Lighting Options

Single Color Accent Lighting (Out of the Box)

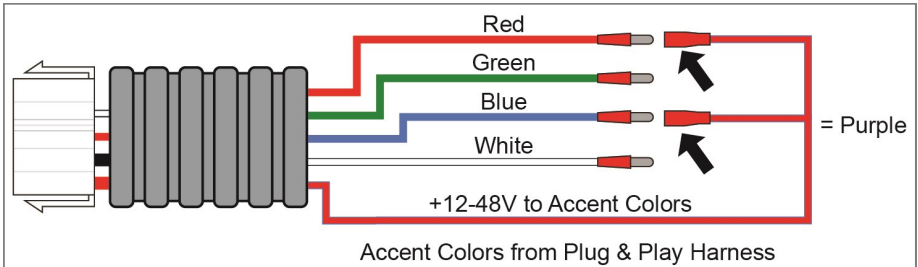
1. For WHITE accent lighting only, configure the plug & play harness as shown. Cover the un-used male bullet connectors with electrical tape to protect them.



- For RED, GREEN or BLUE accent lights, switch the WHITE color wire with either of the three different RGB color wires (RED, GREEN or BLUE) on Page 7. **Cover the un-used male bullet connectors with electrical tape to protect them.**

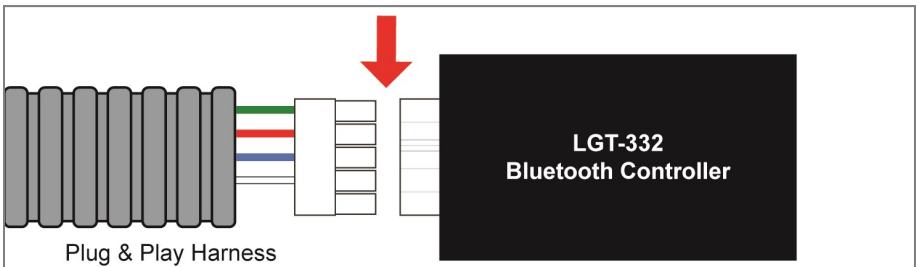
2 Color Combination Accent Lighting

- For two color combination accent lighting, connect the (2) male bullet connectors to any (2) of the RGBW color wires (RED, GREEN, BLUE or WHITE) for a single combined color (i.e. RED + BLUE = PURPLE). **Cover the un-used male bullet connectors with electrical tape to protect them.**



Multi-Color Combination Accent Lighting (LGT-332 Controller Required)

- Remove the RGBW jumper harness from the plug & play harness and replace it with the LGT-332 Bluetooth Controller.



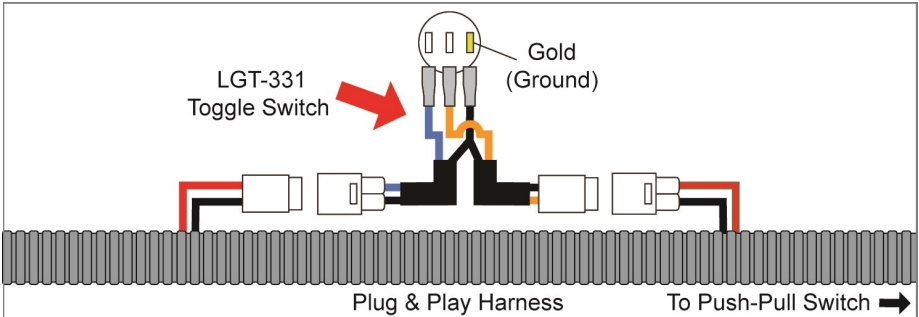
- Download the “Magic Lumen” App on a smart device by scanning the QR code or searching for it in the App Store.



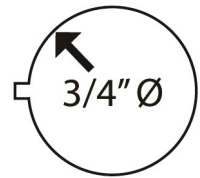
- Once downloaded, enable Bluetooth on your smart device. Connect the Magic Lumen App to the LGT-332 controller per the device’s Bluetooth instructions.

Independent ON/OFF Toggle Switch for Accent Lighting (LGT-331 Required)

1. Locate the white 4-pin connectors near the push-pull switch and separate them.
2. Connect the ON/OFF toggle switch between the (2) white connectors as shown.

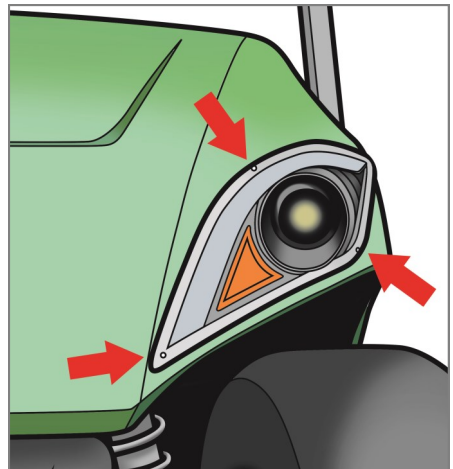


3. Find a convenient location on the dash to mount the toggle switch. Mark the center of the mounting location with a marking device.
4. Drill a 3/4" hole at the marked location. File any rough edges. Use a small file to make a small notch on the left side of the mounting hole. This notch will align with the raised line on the left side of the toggle switch to prevent the switch from rotating.
5. Disconnect the wires from the toggle switch and insert the switch in the newly drilled hole. Reconnect the leads to the toggle switch as shown above.



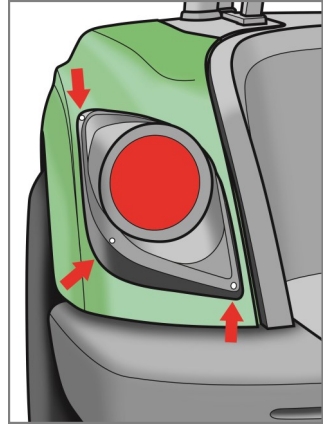
Headlight Installation

1. Connect the driver side headlight to the driver side headlight 3-pin connector and the 6-pin accent lights connector.
2. **NOTE:** If installing a T3 turn signal with high low beam capabilities, connect the bullet connector on the headlight to the bullet connector on the plug & play harness to enable the low beam option.
3. Install the headlight using the Mounting Screws.
4. Repeat for the passenger headlight.



Taillight Installation

1. Connect the driver side taillight to the driver side taillight lead that was pulled through the hole in the rear body.
2. Install the taillight using the Mounting Screws.
3. Repeat for the passenger taillight.



Power Connections

NOTE: Complete this section once all lights and optional accessories have been installed. Test all batteries with a voltage meter prior to installation to determine the output voltage.

CAUTION: This light kit is designed to operate at a DC voltage range of 12-48V. Please be advised that add-on accessories for this light kit may not be rated for any voltage over 12V DC and can be damaged if installed at a higher voltage. A voltage reducer must be used with 12V add-on accessories to avoid damage.

1. Verify the cart is in the TOW position (if equipped) and the key is OFF.
2. Verify any exposed wires and the push-pull switch are not touching the frame or any metal parts on the cart.
3. Connect the positive and negative battery connections from the light kit's harness to the batteries. Tighten the nuts but do not over tighten. Over tightening can destroy the battery posts.

Gas Carts: Connect the wires to a 12V battery.

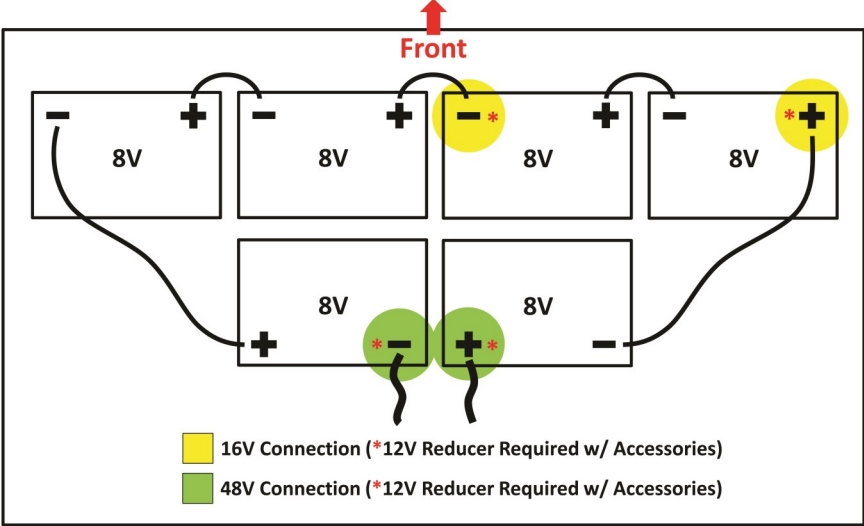
48V Electric Carts with 8V Batteries for 12V Output: A voltage reducer is required to reduce the voltage to 12V. This is the safest option if installing optional accessories.

48V Electric Carts with 8V Batteries for 48V Output: This option is not recommended if installing optional accessories.

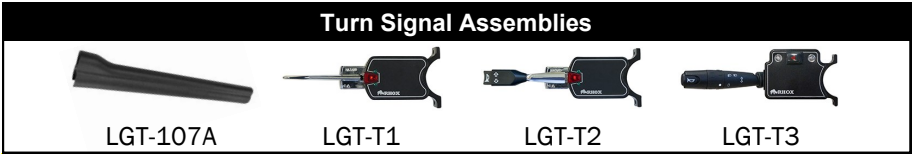
NOTE: Light sparks can be normal when connecting batteries, but a bright

arching flash indicates there is a short in the system. The diagram below shows the batteries in factory configuration. Always test the batteries with a voltage meter as each configuration may vary.

48V Drive2 with 8 Volt Batteries

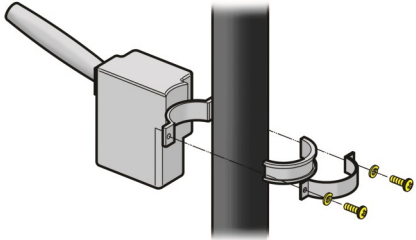


4. Put the cart in the RUN position and turn the key ON.
5. Turn the lights ON and test the lights and accessories to make sure they function properly.
6. Secure any loose wires with cable ties.

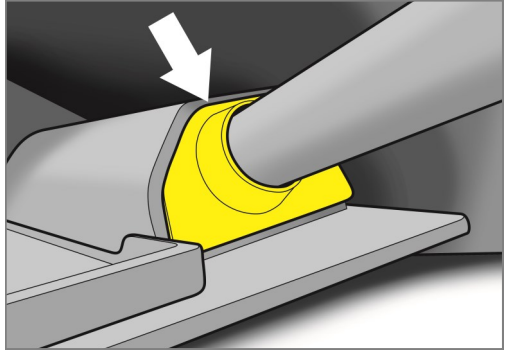


NOTE: If installing a steering column cover, do so before installing the turn signal.

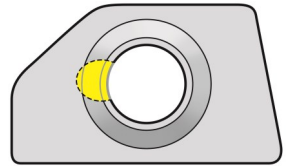
1. Mount the turn signal assembly in a convenient location on the steering column using the included collar and one or more of the included rubber inserts that best fit the diameter of the steering column.



2. Peel back the rubber boot at the base of the steering column.



3. Use a utility knife or other cutting device to carefully cut a small notch on the left side of the rubber boot, next to the steering column. The notch should be large enough to accommodate the turn signal harness.



4. Run the turn signal harness down the steering column, through the rubber boot and behind the dash compartment.

NOTE: If the flasher relay is already installed on the turn signal, remove it before running the wires into the dash.

5. Remove the jumper harness from the 9-pin turn signal connector on the plug and play harness.



6. Connect the 9-pin connector on the turn signal to the 9-pin on the plug & play harness. If installing a LGT-T3 turn signal, connect the bullet connector on the turn signal harness to the bullet connector on the plug & play harness to enable the low beam function.
7. Connect the flasher relay to the turn signal harness.
8. If installing the LGT-T3 turn signal, remove the push-pull switch from the 4-pin connector on the plug & play harness and replace it with the LGT-590 relay.

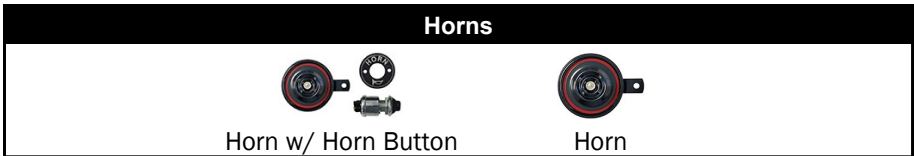


9. Push the rubber boot on the steering column back into place with the turn signal harness nested in the notch cut out in Step 3.

- Measure from the bottom of the turn signal to the rubber boot. Using a utility knife, saw or tin snips, cut the LGT-107A (universal turn signal switch wire cover) to the measured length and sand rough edges.



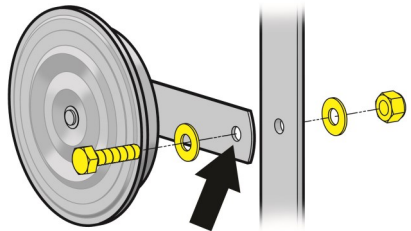
- Snap the cover around the turn signal harness and the steering column. Secure any loose wires behind the dash.



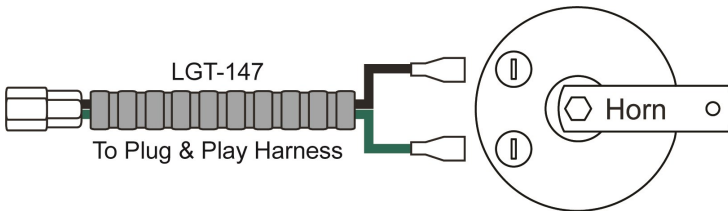
Horn Only (For use with LGT-T2 and LGT-T3 Turn Signals)

- Connect the spade connectors on the horn harness to the back of the horn on either terminal as shown below.

- Mount the horn under the driver side front end of the vehicle in a location free of moving parts using the Included Hardware. Use a pre-drilled hole or drill a 1/4" hole in a safe location on the golf cart frame. The horn should face away from the cart and its passengers.



- Connect the triangular plug on the horn harness (LGT-147) to the triangular plug on the plug and play harness. Secure any loose wires with cable ties.



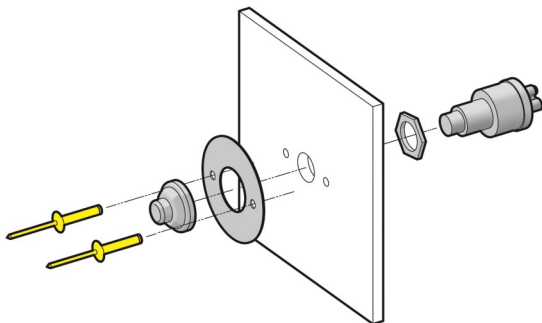
Horn w/ Horn Button (For use alone or with LGT-T1 Turn Signal)

- Mount the horn as shown above in Step 2.
- Find a convenient location on the floor to mount the horn button. This area

should be free and clear of obstacles and wiring harnesses. Drill a 5/8" hole through the floor at the location. Cut away the floor mat over the hole.

3. Insert the horn button in the hole from the underside of the cart. Place the horn decal over the horn button. Screw the rubber button cover onto the horn button. Do not tighten.

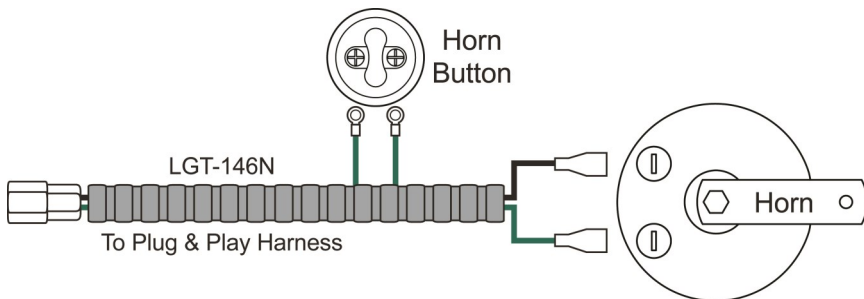
4. Align the decal so it is straight. Mark the (2) hole locations for the decal onto the floor mat. Remove the horn button, cover and decal. Drill the (2) marked hole locations with a 7/32" bit.



5. Install the horn button and decal as shown using the Included Rivets.

6. Connect the (2) ring terminals on the horn harness to the back of the horn button and connect the (2) spade terminals to the horn. You can connect the leads to either terminal.

7. Connect the triangular plug on the horn harness to the triangular plug on the plug and play harness. Secure any loose wire with cable ties.



12 Volt Receptacle and Dual USB Outlet



ACC-0058



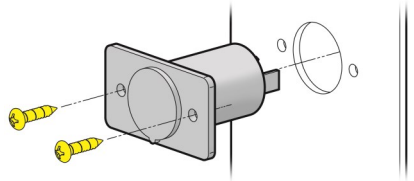
ACC-0097

CAUTION: 12V Outlets are designed for 12V operation ONLY. Operating at a voltage higher than 12V will damage accessories plugged into the outlet.

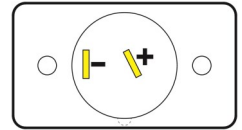
1. Find a convenient location on the dash or side compartments to mount the 12V receptacle and/or USB outlet.
2. Mark the center of the mounting location with a marking device.

ACC-0058 12 Volt Outlet

1. Drill a 1" hole at the marked location.
2. Insert the 12V receptacle into the hole and mount it with the Included Hardware.

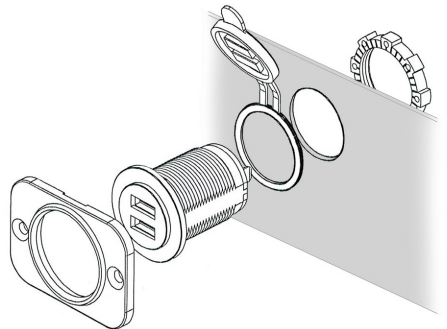


3. Connect the +/- 12V outlet leads on the light kit harness to the +/- 12V terminals on the back of the outlet.



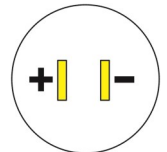
ACC-0097 Dual USB Outlet

1. Drill a 1-1/8" hole (maximum size) at the marked location.
2. Insert the outlet through the protective cap and into the mounting area. Secure it with the retaining nut. Mount the flat panel cover over the outlet (not required) using the Included Screws.



3. Connect the +/- 12V outlet leads on the light kit harness to the +/- 12V terminals on the back of the ACC-0097.

NOTE: A fuse holder (ACC-0019) and 15A fuse (ACC-0021) are recommended if direct connecting the USB ports to a 12V battery or voltage reducer.



Brake Light Switches



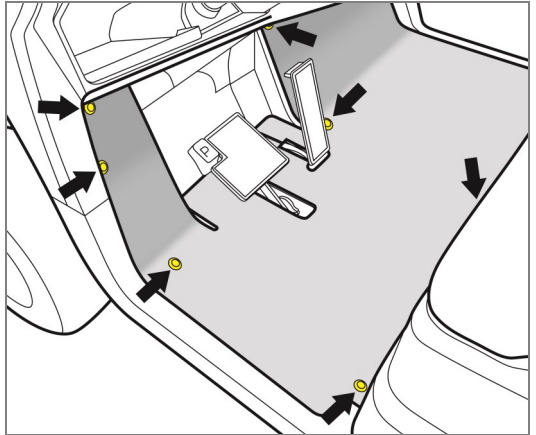
LGT-B1



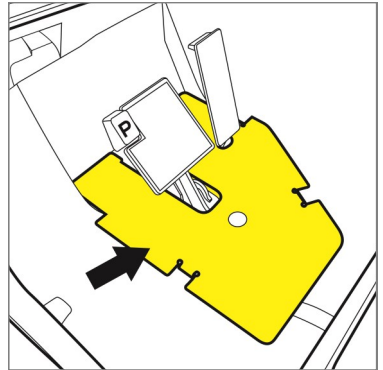
LGT-B12

All Brake Switches

1. Verify cart is in TOW position (if equipped), key is OFF and wheel is chocked.
2. Remove the rivets holding down the driver side floor mat and peel back the mat. Retain rivets for reuse.



3. Remove the pedal cover using a flat head screwdriver to lift it off of the floor.
4. If installing a brake switch without a turn signal, switch the (2) 2-pin male connectors on the jumper harness located on the turn signal connector. Leave the jumper on the harness.

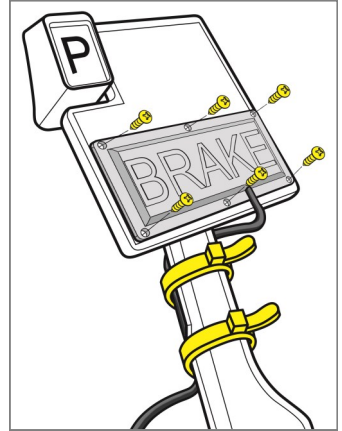


LGT-B1 (LGT-138) Brake Pad Light Switch, Universal Fit

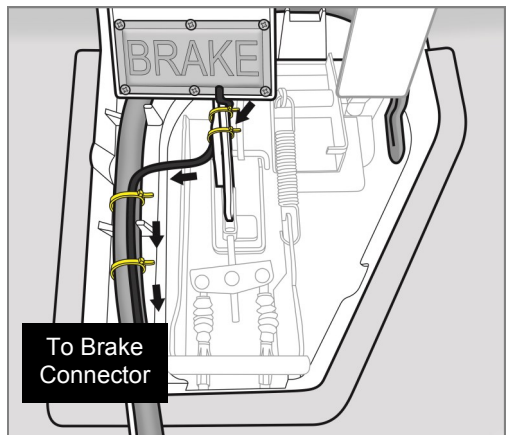
1. Lock the brake pedal. Center the brake pad on the lower portion of the brake pedal assembly.
2. If mounting the switch using the Included Screws, fasten the pad directly to the pedal as shown on the top of Page 17.

If mounting the switch using the Included Rivets, mark the hole locations and drill (6) 3/16" holes through the pedal. Mount the pad with the rivets.

3. With the brake pedal out of PARK, run the lead from the pad down the back side of the pedal and into the left side of the pedal compartment. Keep the wire close to the driver side so it does not get pinched.



4. Secure the LGT-B1 lead to the cart's harness with a cable tie. Make sure the lead is free and clear of any moving parts so it does not get pinched. Slowly lower the pedal into PARK and recheck the lead. Readjust the cable ties if necessary.



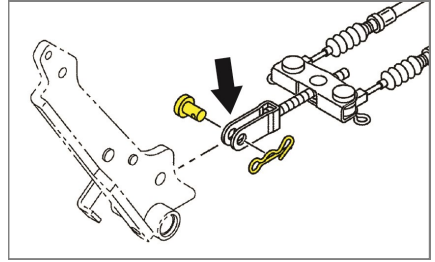
5. From under the pedal group, connect the LGT-B1 lead to the triangular plug on the plug and play harness.

NOTE: Black ground wire is not used with the LGT-B1. The ground wire is only used with the time delay.

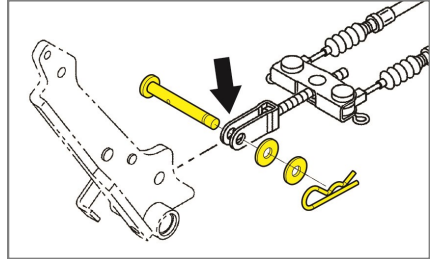
6. Use cable ties to secure the brake leads and harness close to the chassis and away from any moving parts.
7. Reinstall the pedal cover and floor mat with the Original Hardware.

LGT-B12 Linkage Activated Brake Switch with Time Delay

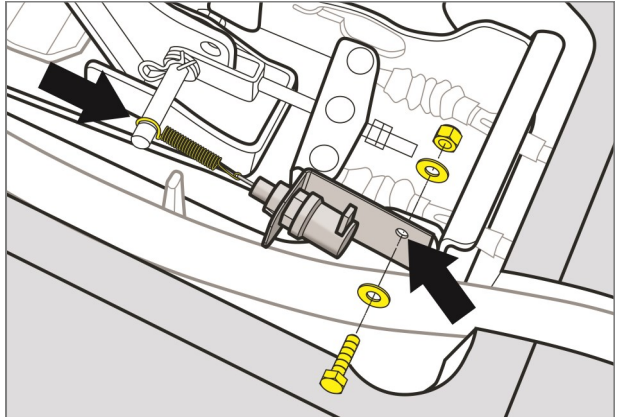
1. Remove the pin and cotter pin holding the brake cable assembly to the brake pedal. Discard.



2. Replace the original hardware with the Included Pin, Spacer (s) and Cotter Pin. Use spacers to fill gap between the cotter pin and the brake rod clevis.

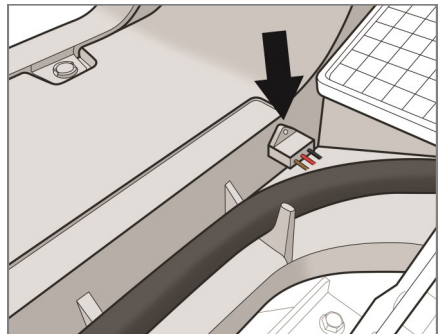


3. Mount the plunger to the brake bracket. Mount the bracket to the pedal group as shown using the included (1) 1/4-20 x 1" Hex Head Bolt, (2) Flat Washers and (1) Nylock Nut.

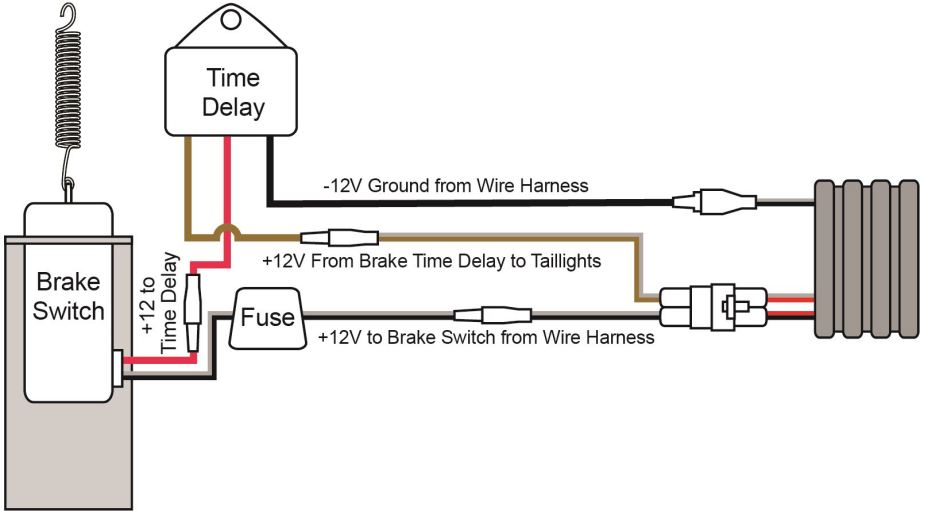


4. Connect the spring to the pin.

5. Locate an area on the side of the pedal compartment to mount the time delay. Drill a 1/4" hole at the location. Fasten the time delay to the pedal compartment using (1) 1/4-20 x 1" Hex Head Bolt and (1) Nylock Nut.



6. Connect the brake switch to the time delay and the light kit's harness as shown in the diagram below:
7. Secure all loose wires away from moving parts with cable ties.
8. Reinstall the pedal cover and floor mat using the Original Hardware.



**RUGGED
STARTS
HERE**

Your Yamaha Drive2 Light Kit is now complete.
Please enjoy safely!

Scan QR code or use the link below to view the installation video.
<https://vimeo.com/user39935056>



