



# LIFT-310

## 3" Drop Spindle Lift Kit

### E-Z-Go TXT Gas 08.5-19 Kawasaki Engine

#### Installation Instructions



Contents of Kit		QTY
a	Passenger Side Spindle	1
b	Driver Side Spindle	1
c	Rear Lift Blocks	2
d	Hardware (Contents on Next Page)	1

**Caution:** Please read through the instructions carefully. Installer is responsible for damage if instructions are not followed properly. Extra installers will be helpful in some parts of the installation. Please refer to torque specifications on page 2 for new hardware. Please refer to the vehicle's maintenance manual for torque specifications on reused hardware.

**Note:** You must install larger tires and wheels once the cart is lifted. Stock wheels will not work. We recommend a 20" tires and a 10" or larger wheel with a minimum of a 1" offset.

## LIFT-310 Hardware Kit



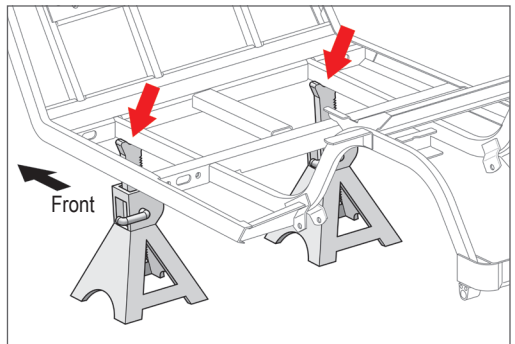
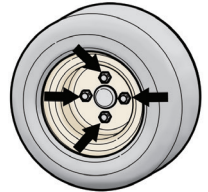
Contents		QTY	Torque Requirements
a	3/8"-16 x U-Bolts	4	38 ft lbs
b	3/8" Flat Washers	8	-
c	3/8"-16 Nylock Nuts	8	-

## Tools Needed for Installation

- Sockets & Wrenches (5/8", 11/16", 3/4", 13/16", 14mm)
- Adjustable Wrench
- Flat Head Screwdriver
- Pliers
- Jack and Jack Stands
- Chock for Wheels
- Rubber Mallet
- Tie Rod Fork
- Grease Gun
- Safety Glasses

## Installation Preparation (Front)

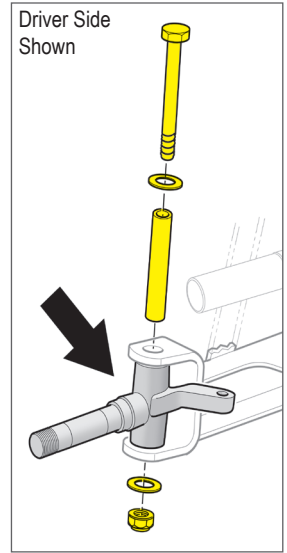
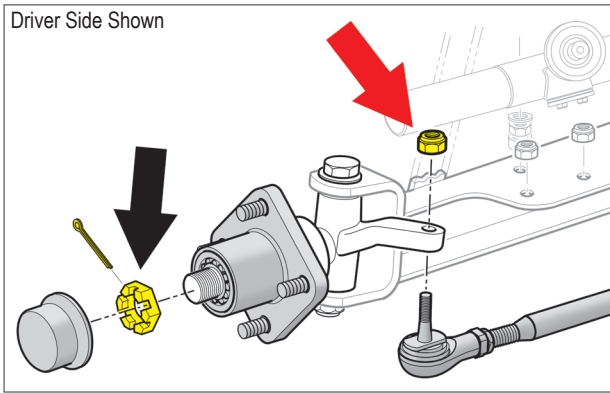
1. Engage parking brake.
2. Turn key OFF.
3. Chock the back of the rear wheels.
4. Remove the hub caps (if any). Loosen the lug nuts on both front wheels but do not remove them.
5. Place a jack under the front axle. Lift the cart high enough to accommodate the new tires and wheels.
6. Place (2) jack stands securely under the frame and remove the jack.



7. Fully remove the (8) front lug nuts, tires and wheels.
8. Remove dust covers, cotter pins, castle nuts (black arrow) and wheel hubs from both spindles. Place hubs in a clean/dry location. Retain all components.
9. Disconnect the tie rod ends from the spindles (red arrow). Use a tie-rod fork to dislodge the tie-rod ends from the spindles. Do not hammer the studs as it will damage the threads. Retain hardware.

**NOTE:** (1) tie-rod end is located on the driver side and (2) on the passenger side.

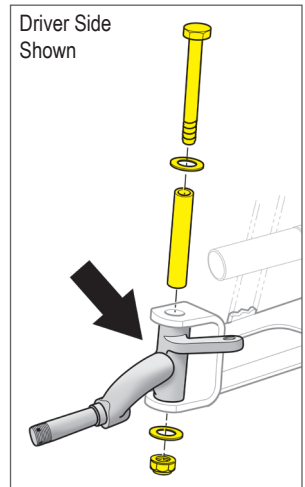
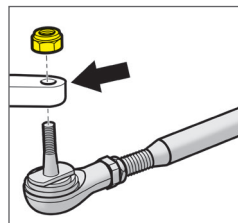
10. Remove the spindles from the front axle. Retain the hardware and spindle tubes. Discard spindles.



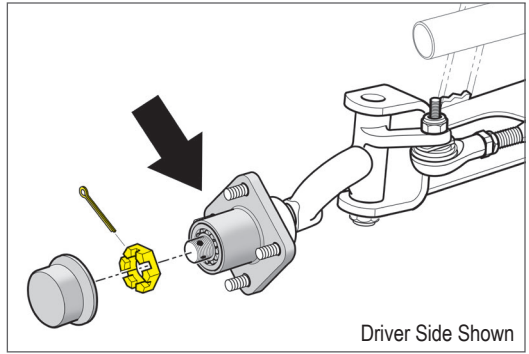
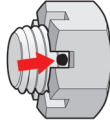
## Front Suspension Installation

**NOTE:** Please refer to page 2 for torque specifications for included hardware. Please refer to vehicle's maintenance manual for torque specifications on reused hardware.

1. Insert the Original Spindle Tubes into the new spindles. Install the new spindles on the axle with the Original Hardware. Driver side is shown.
2. Attach the tie-rod ends to the new spindles using the Original Hardware.



3. Install the hubs onto the new spindles using the Original Hardware. Fully tighten the castle nut. If the hole for the safety pin is not clearly visible, back the castle nut off until the hole is visible. Reinstall the safety pin.
4. Reinstall the dust covers.



5. Grease the fittings on both spindles using a general purpose automotive grease.
  6. Install the (2) front tires and wheels. The stock tires and wheels will not work on the newly lifted cart. Fully tighten the lug nuts on both wheels.
- NOTE:** We recommend 20" tires and a 10" or larger wheel with a minimum of a 1" offset.
7. Tighten any hardware left loose in this section.
  8. Once the tires and wheels are fully secure, place the jack under the cart. Remove the jack stands and lower the cart. Remove the chocks behind the rear wheels.

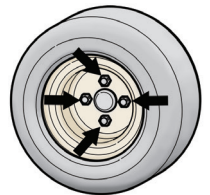
**NOTE:** Toe adjustments will be made at the end of the installation.

## Installation Preparation (Rear)

**Safety Note:** Proper eye and mouth protection should be worn during this section to protect the installer from falling debris when working under the cart.

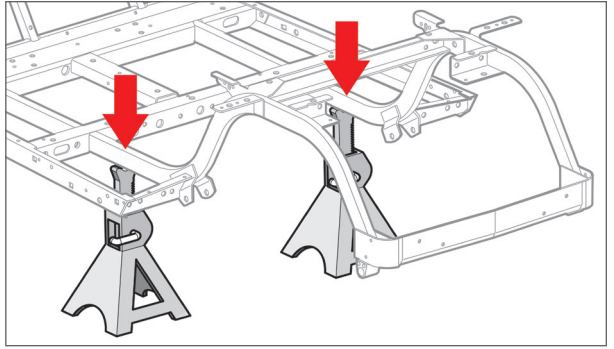
The rear axle is only secured in place by the leaf springs, U-bolts and the jack. For safety reasons, only complete one side of the suspension at a time.

1. Engage parking brake.
2. Turn key OFF.
3. Chock the front of the front wheels.
4. Remove the hub caps (if any). Loosen the lug nuts on both rear wheels but do not remove them.
5. Place a jack securely under the rear axle. Safely lift the rear end of the cart enough to accommodate the additional height of the larger tires and wheels.
6. Place jack stands under the chassis on both sides of the cart to stabilize it (page 5). DO NOT remove the jack.
7. Fully remove the (8) rear lug nuts, tires and wheels. Discard.

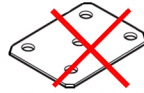


8. With jack stands under the chassis, carefully raise the jack to support the rear axle.

9. Disconnect the bottom of the rear shocks (shown in green) from the axle brackets (shown in blue). Push the shocks upward and out of the way. Retain hardware.



10. With the axle supported by the jack, remove the (2) U-bolts holding the passenger side leaf spring (purple) to the rear axle. Discard hardware and the spring plate (pink). Retain the axle bracket (blue).

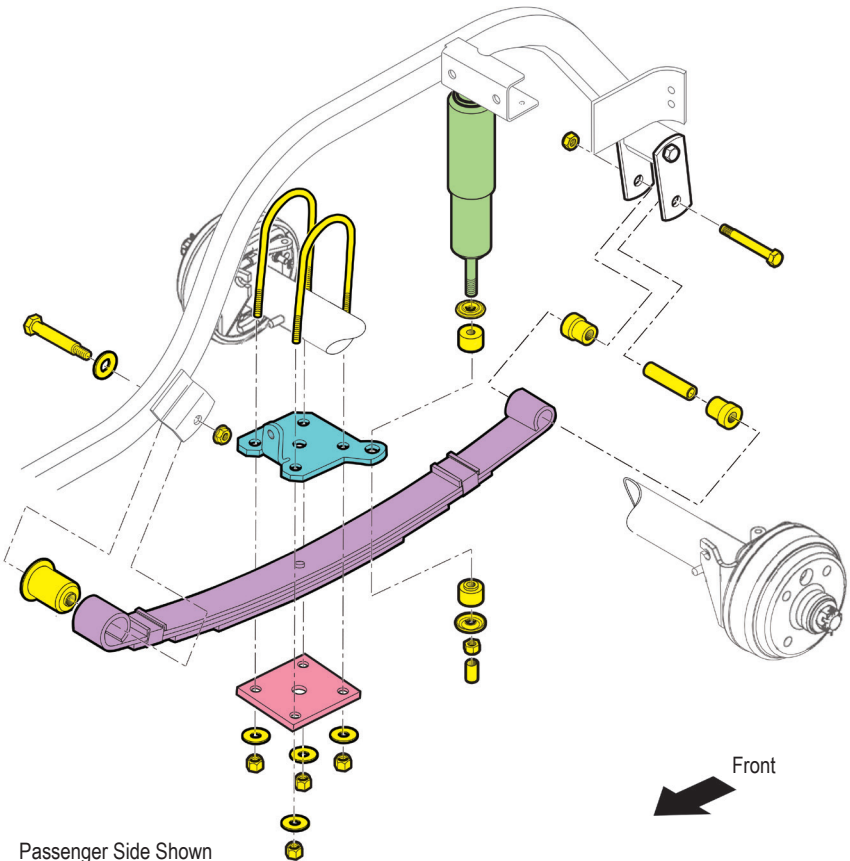


Spring Plate



Axle Bracket

**CAUTION:** Complete one side at a time.



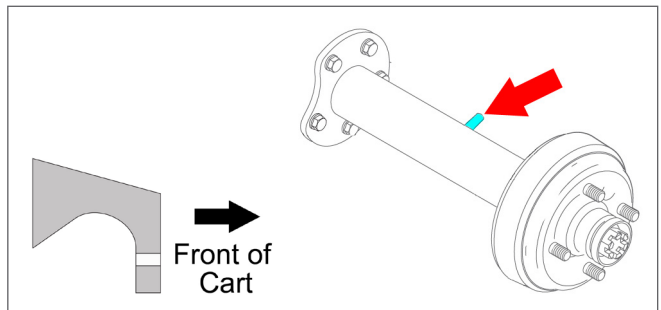
Passenger Side Shown

11. Remove the driver side leaf spring starting with the rear shackle (purple, page 5). Retain leaf spring and hardware.
12. Carefully lower the rear axle away from the chassis with the jack. The jack stands will remain in place to support the chassis.

## Rear Suspension Installation

**Safety Note:** For safety reasons, only complete one side of the suspension at a time.

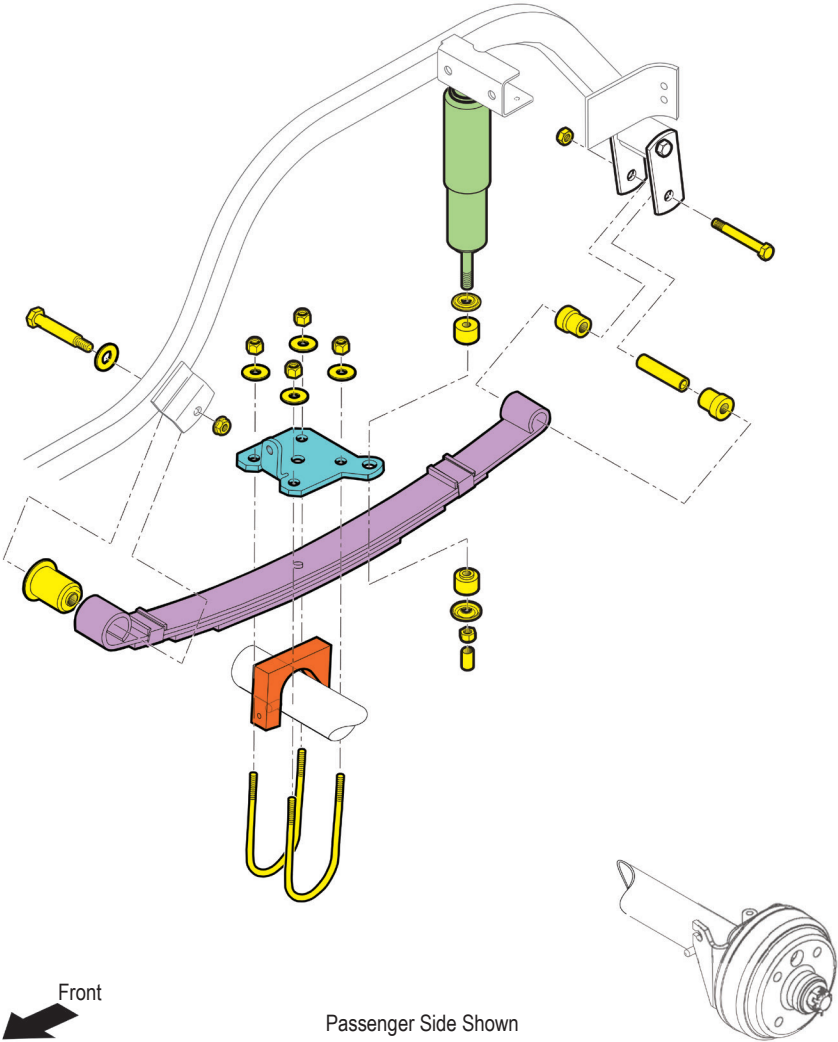
1. Place the leaf spring (purple) over top of the axle. Reconnect the leaf spring to the front shackle using the Original Hardware.
2. Orient the rear lift block so the leg with the hole faces the front of the cart. Place the lift block (orange, page 7) between the axle and the leaf spring. The forward facing hole will line up with the alignment pin on the axle.



3. Place the original axle bracket (blue, page 7) on top of the leaf spring so the bent leg faces the front of the cart and the shock mounting hole faces the rear inside of the cart. The center hole will line up with the alignment pin on top of the leaf spring.
4. Fasten the axle bracket, leaf spring and lift block to the rear axle using the included (2) 3/8"-16 U-Bolts, (4) 3/8" Flat Washers and (4) 3/8-16 Nylock Nuts. Hand tighten.
5. Fully tighten both U-Bolts evenly on both sides. Adjustments may be needed to maintain alignment.
6. Repeat prep steps 10-12 and installation steps 1-5 for the driver side rear leaf spring.
7. Using the jack, safely lift the rear axle and guide the rear portion of the leaf springs to their original positions.
8. Reinstall the rear portion of the leaf springs to the shackles using the Original Hardware removed above in step 11.
9. Pull down the shocks (green) and bolt them onto the axle brackets using the Original Hardware.
10. Tighten any hardware left loose in this section.

11. Install the (2) new rear tires/wheels on the rear hubs. Remove the jack stands and lower the cart. Remove the jack and chock.

**NOTE:** If the cart is not high enough to accommodate the larger tires and wheels, raise the cart to the correct height with the jack.



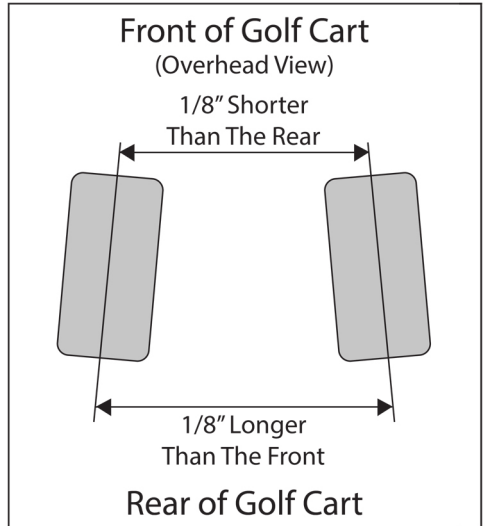
## Adjust the Toe

1. Drive forward and back 20-40 feet to check the toe before making adjustments. Only make adjustments if needed.

**NOTE:** For stability, an 1/8" toe-in is recommended.

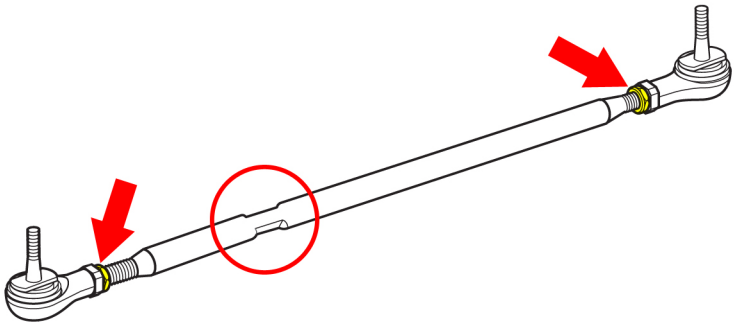
2. Calculate the toe of the front tires by measuring the center-to-center distance of the front of the front tires versus the center-to-center distance of the back of the front tires. The front measurement should be 1/8" shorter than the rear.
3. Adjust the toe by loosening the jam nuts. Lengthen or shorten the tie rod by turning the rod adjustment.

**NOTE:** Shortening the tie rods increases the toe, lengthening decreases it.



## Toe-In Adjustment

4. Once the toe adjustments are finalized and set, tighten the jam nuts.



This completes the installation of your RHOX Lift Kit.  
Please enjoy safely! Scan QR code or use the link to view the installation video.  
<https://vimeo.com/user39935056>

