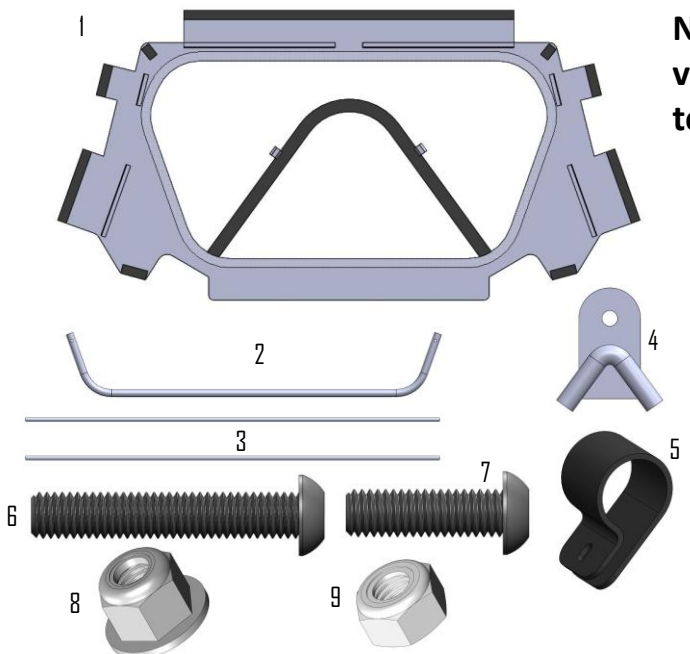


Installation & Operations Manual Kawasaki KRX 1000 Rear Soft Windshield



Kit Contents:



- | | |
|-----------------------------|-------------------------------|
| 1. Textile Rear Panel | 6. M6x35 Button Head Bolt (2) |
| 2. Lower Tube | 7. M6x20 Button Head Bolt |
| 3. Support Rods (2) | 8. M6 Nyloc Flange Nut (2) |
| 4. Upper Rod Mount | 9. M6 Nyloc Nut |
| 5. 1.5" Plastic P Clamp (3) | 10. 3/9" Self adhesive velcro |

Note! There are many roofs available for this vehicle. You may have to cut notches in the top textile flap for roof clamps etc.

Installation Information:

This product does not require any modifications to your vehicle. Please familiarize yourself with all the steps before beginning assembly.

Compatibility Info:

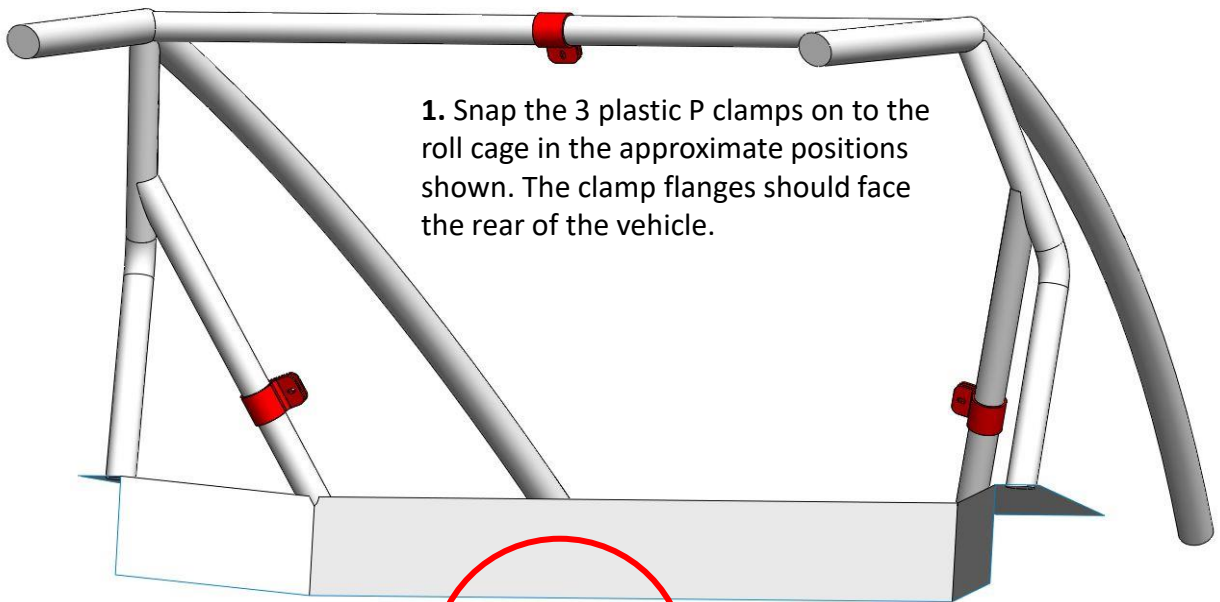
This windshield is designed to work with other Seizmik branded Accessories for the Kawasaki KRX as well as OEM Kawasaki hard tops. Please note Seizmik cannot guarantee fitment with other branded aftermarket products. Please research installation details on our products and others when trying to combine different branded accessories.

Seizmik makes Windshields, Mirrors, Door Kits, Light Bars, Hood Racks, and other great accessories for UTV's to maximize the vehicles usefulness. To help you do what you do better.

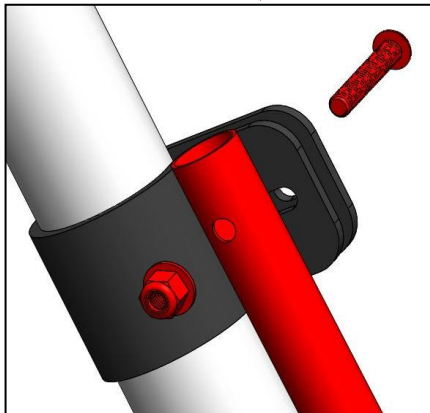
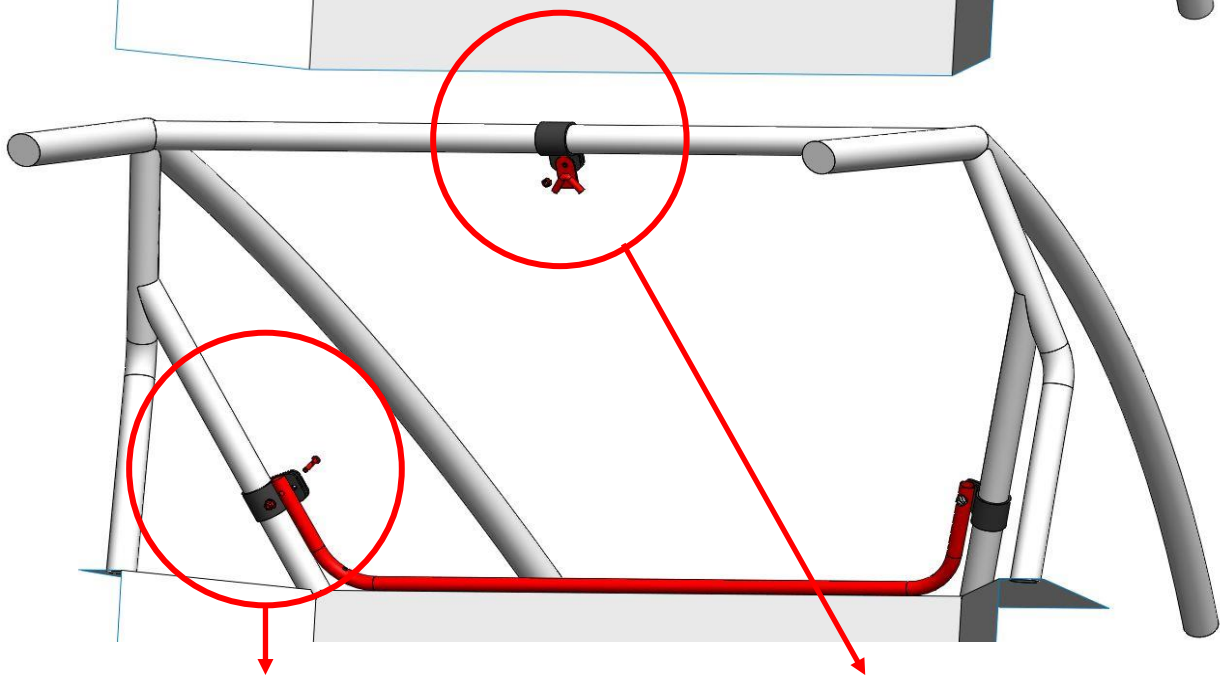
If you have any questions, comments, need assistance, or are missing parts, please call 1-866-838-3366 between 9:00AM and 5:00PM EST. Or email us at service@seizmik.com. Visit www.seizmik.com for more information on our products.

Frame Installation:

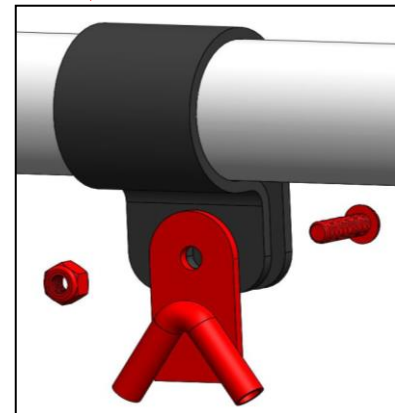
SEIZMIK



1. Snap the 3 plastic P clamps on to the roll cage in the approximate positions shown. The clamp flanges should face the rear of the vehicle.



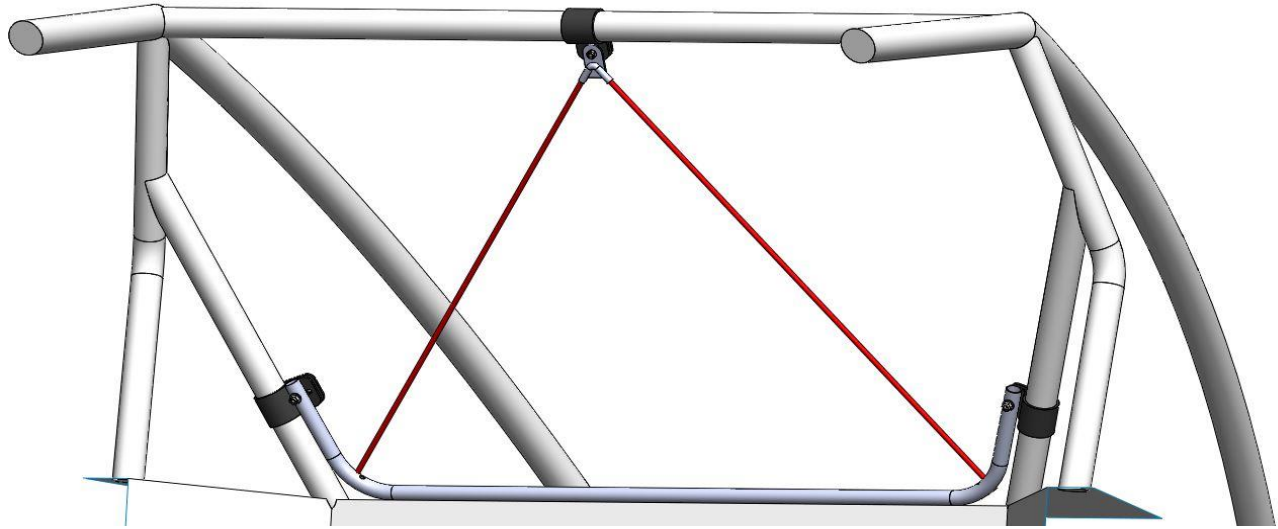
2. Bolt the lower tube in place using the M6x35 button head bolts and nyloc flange nuts. The bottom of the tube should be almost touching the plastic rear body area as shown. Make sure the head of the bolt faces towards the rear as shown.



3. Bolt the upper tube mount in place using the M6x20 button head bolt and nyloc nut. Make sure the head of the bolt faces towards the rear as shown.

Frame Installation:

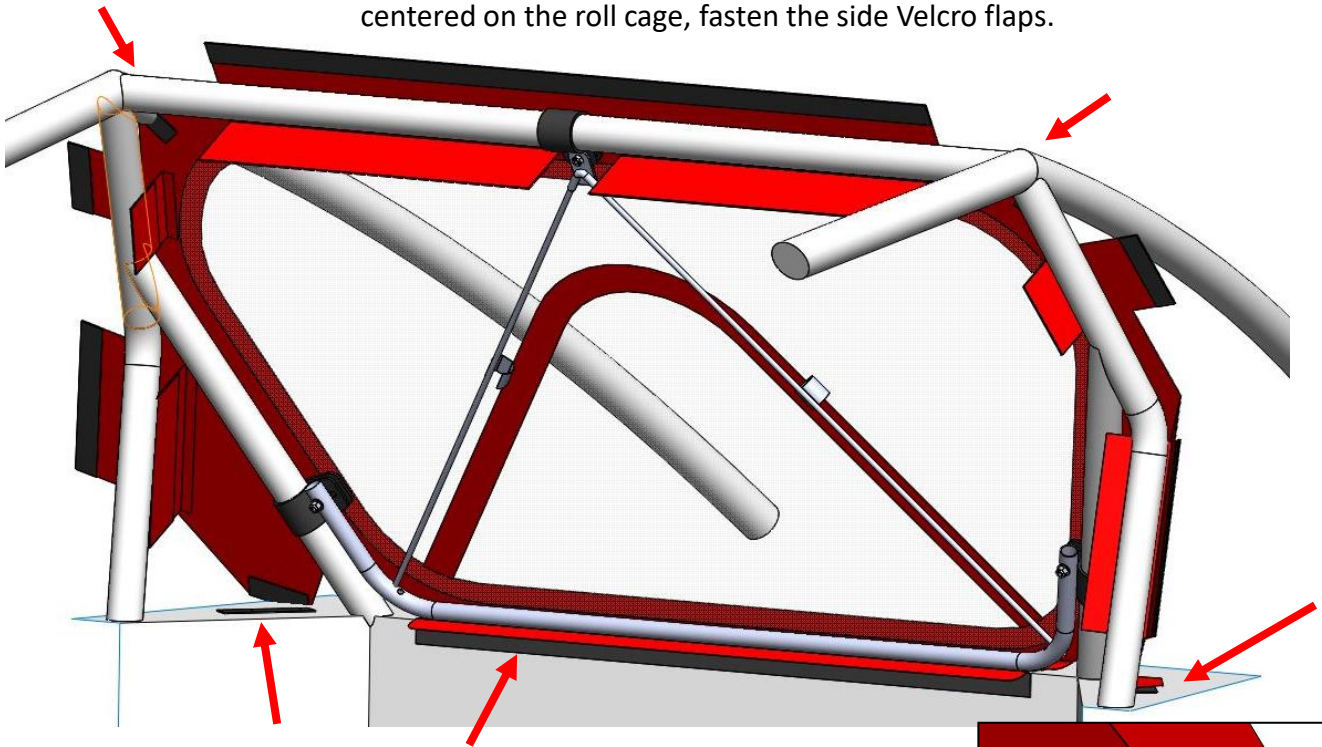
SEIZMIK



4. Install the support rods by putting them in the upper rod mount, then flexing the rod and putting them in the holes in the lower corners of the lower tube.

Textile Installation:

1. Place the textile over the rear of the roll cage with the flaps facing forwards. **Starting at the top**, wrap the flaps around the roll bar tube and fasten the Velcro. Pull the bottom flap under the lower tube as shown. Making sure the textile is centered on the roll cage, fasten the side Velcro flaps.



2. Adjust all flaps so that the textile panel is nice and snug. Fold the bottom flap down over the rear plastic panel and determine where to place the self adhesive strip of Velcro. You will need to cut a piece to fit at all locations shown by the arrows. After cutting a piece the appropriate length, clean the plastic with some rubbing alcohol and apply the Velcro. Attach the bottom flap. Repeat this procedure for each of the side flaps as shown. There is a Velcro loop on either side of the zippered section of the rear window. Fasten these around the support rods to keep them in position.

