

Polaris Ranger Doors

for 2009-2013 Full Size Polaris Rangers (except 2013 Polaris Ranger XP900)
Installation & Operations Manual



How to use this manual:

- Be sure to read through the entire manual carefully before beginning installation.
- Read all warnings and precautions carefully and follow safety procedures
- Watch for the following symbols:



CAUTION – Indicates an installation or operational step or procedure that if not followed could result in damage to the product or you. Use caution when you see this symbol and follow all instructions.



TIP – Indicates an installation or operation tip. These tips can help you avoid installation problems, ensure safe and easy operation, and make sure everything goes smoothly.



WARNING – Indicates an installation or operational procedure that must be observed to prevent serious injury or death.

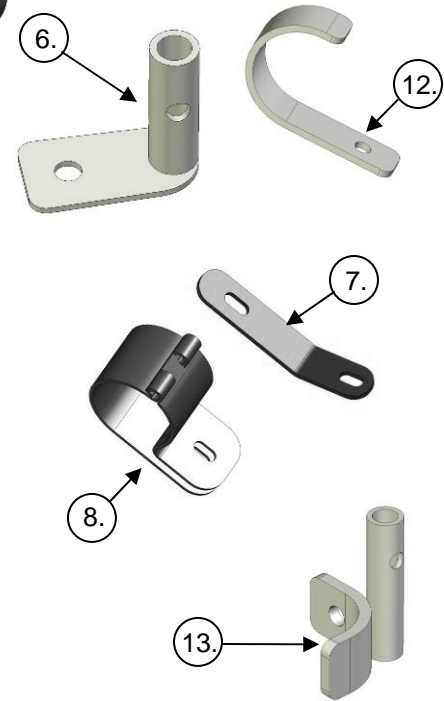
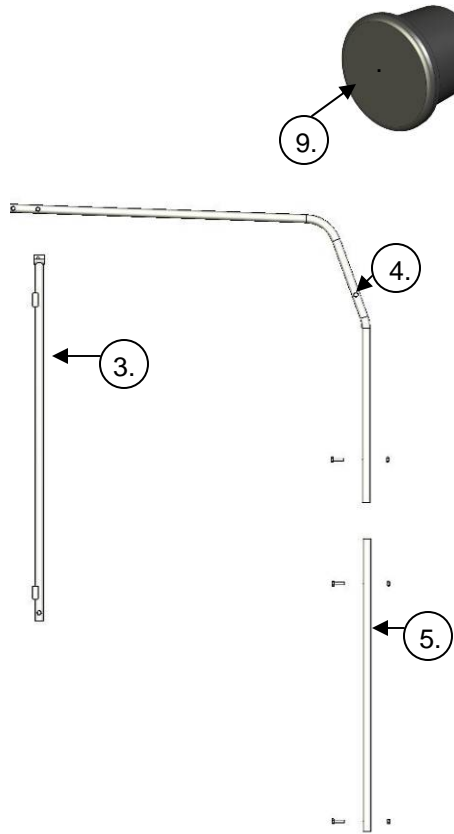
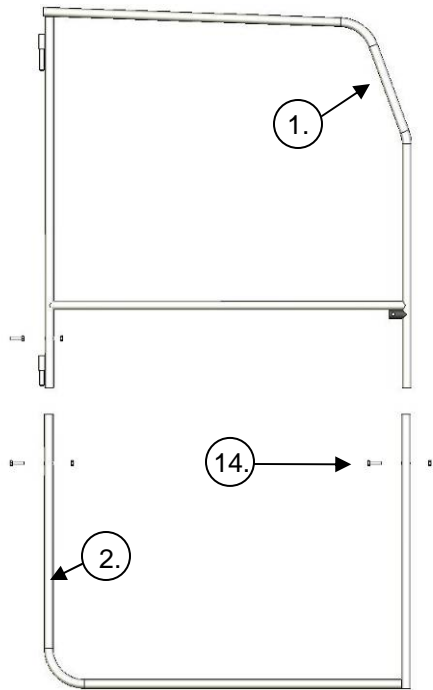
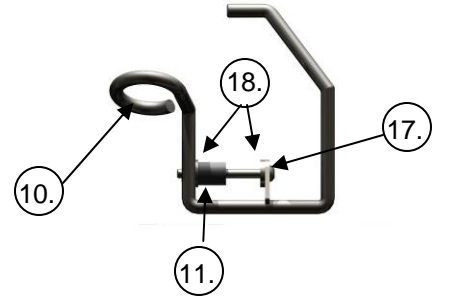
Installation information:

- Approximate installation time: 1 – ½ hours
- This product is easiest to install with: 2 people

Ranger Doors Parts List

Door Frame

- | | |
|--------------------------------------|---------------------------------|
| 1. Upper Door Frame.....2 | 12. Hook Connector.....2 |
| 2. Lower Door Frame.....2 | 13. Back Bottom Connector.....2 |
| 3. Roll Cage Frame Back Piece.....2 | 14. Pan Head M6 x 25.....14 |
| 4. Roll Cage Frame Top Piece.....2 | 15. Pan Head M6 x 30.....6 |
| 5. Roll Cage Frame Front Piece.....2 | (Not Shown) |
| 6. Front Bottom Connector.....2 | 16. Pan Head M6 x 20.....2 |
| 7. Front Top Connector.....2 | (Not Shown) |
| 8. Clamp.....2 | 17. ¼-20x2.5" Bolt, nut.....2 |
| 9. End Plug.....4 | 18. ¼" Washer.....8 |
| 10. Handle.....2 | |
| 11. Spacers.....4 | |

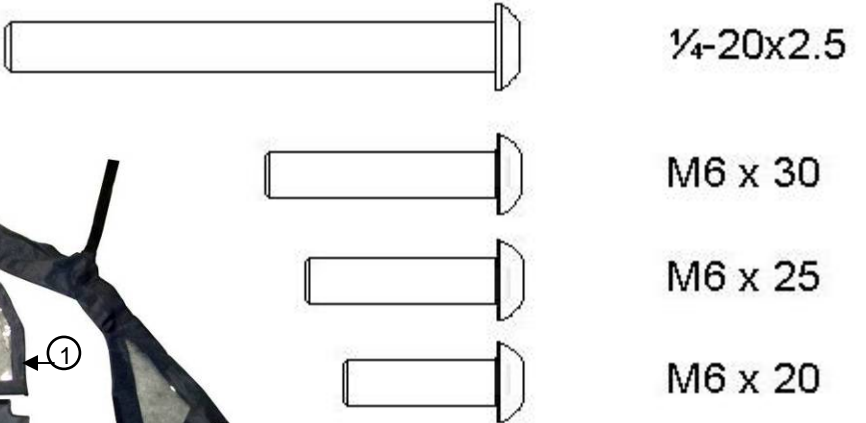


Textiles

- | | |
|-------------------------|-------------------------|
| 1. Upper Passenger Door | 4. Lower Driver Door |
| 2. Lower Passenger Door | 5. Passenger Side Panel |
| 3. Upper Driver Door | 6. Driver Side Panel |

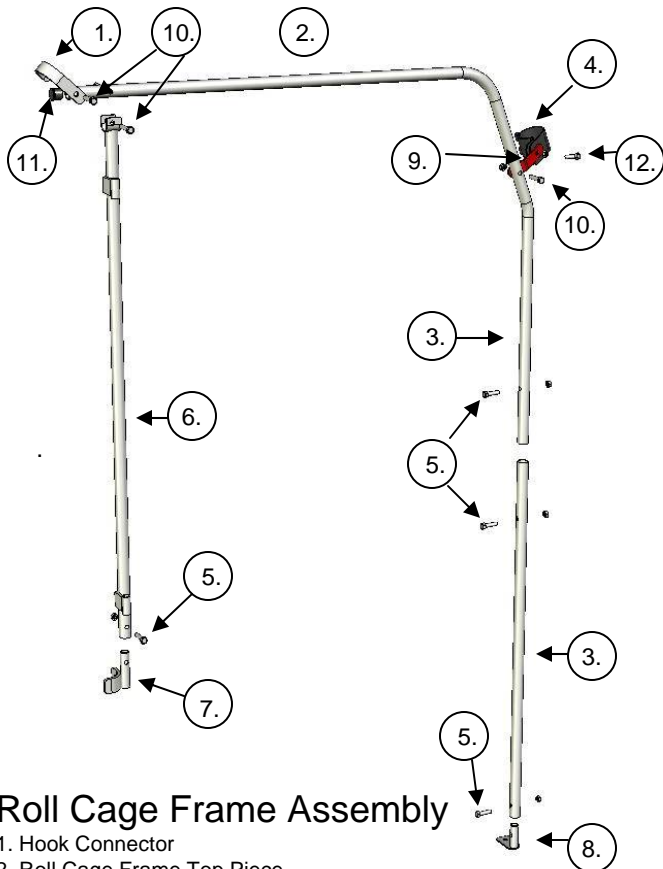


Bolt Index



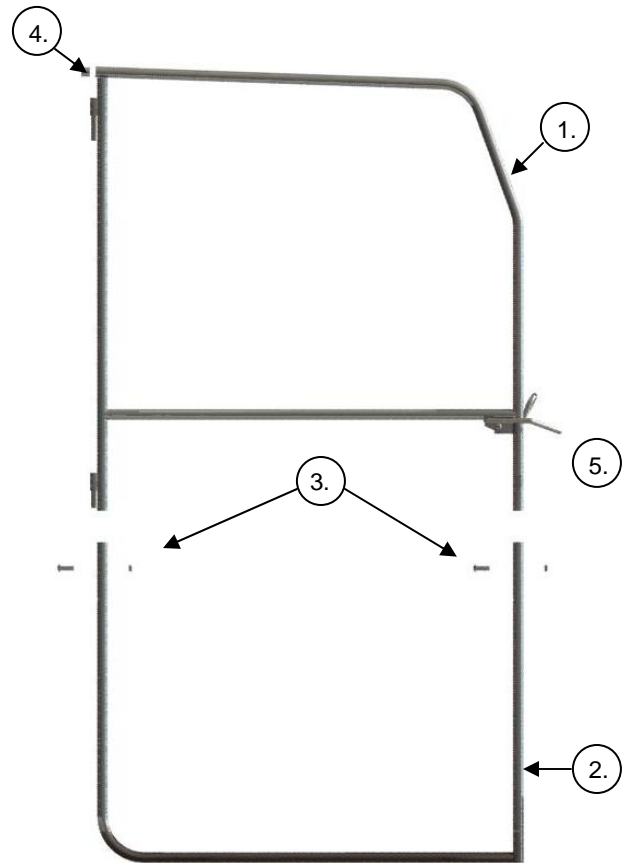
Ranger Doors Installation – Frame (cont'd)

Roll Cage Frame Assembly



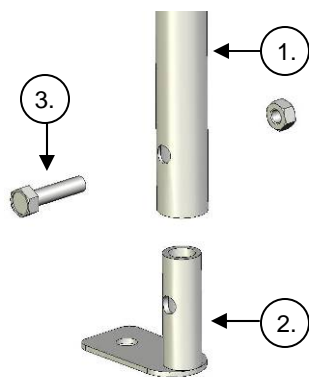
Roll Cage Frame Assembly

- | | |
|--------------------------------|--------------------------|
| 1. Hook Connector | 8. Front Lower Connector |
| 2. Roll Cage Frame Top Piece | 9. Front Top Connector |
| 3. Roll Cage Frame Lower Piece | 10. Pan Head M6 x 30 |
| 4. Clamp | 11. End Plug |
| 5. Pan Head M6 x 25 | 12. Pan Head M6 x 20 |
| 6. Roll Cage Frame Back Piece | |
| 7. Back Bottom Connector | |



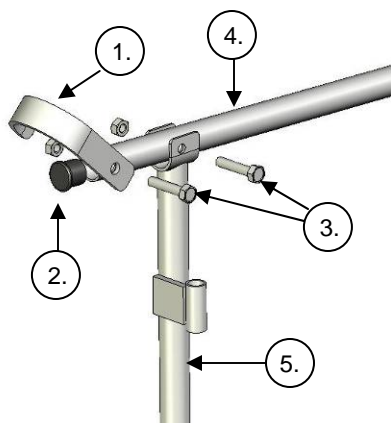
Door Frame Assembly

1. Upper Door Frame
2. Lower Door Frame
3. Pan Head M6 x 25
4. End Plug
5. Handle Assembly



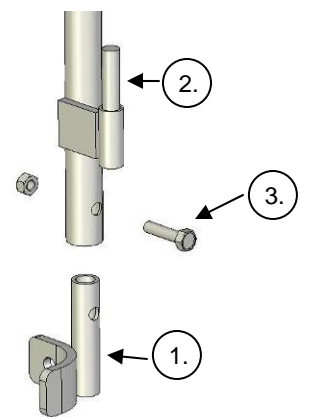
Front Bottom Connector Assembly

1. Roll Cage Frame Front Piece
2. Front Bottom Connector
3. Pan Head M6 x 25



Hook Connector Assembly

1. Hook Connector
2. End Plug
3. Pan Head M6 x 25
4. Roll Cage Frame Top Piece
5. Roll Cage Frame Back Piece



Back Connector Assembly

1. Back Bottom Connector
 2. Roll Cage Frame Back Piece
 3. Pan Head M6 x 25
- *Do this assembly after the back bottom connector has been attached to the roll cage. (see step 3-5)

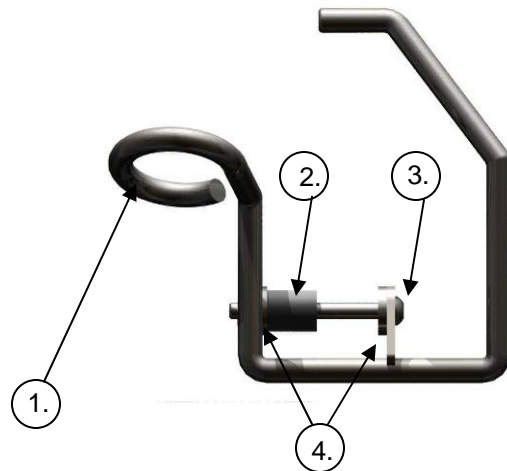
Ranger Doors Installation – Frame (cont'd)



Final Door Assembly

Insert the hinges of the door frame into the hinges of the roll cage frame after the roll cage frame has been mounted to the vehicle.

*Note: ensure the hinge is on the side of the roll cage frame that faces to the rear of the vehicle.



Door Handle Assembly

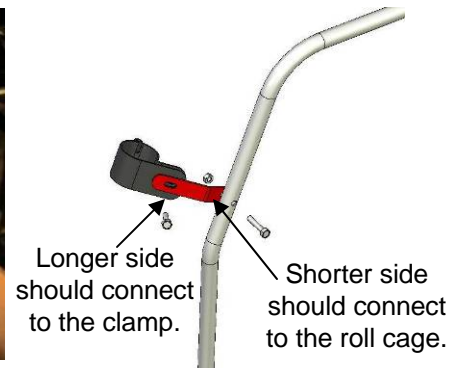
1. Handle
2. Spacers
3. ¼ - 20 x 2.5" Bolt & Nut
4. ¼ Washers



1. Place the clamp 5 inches from the top of the handle on the passenger side of the ranger. Place the clamp on the other side so that it is level with this clamp.



2. Attach the connector from the clamp to the roll cage frame with a bolt and nut.



Ranger Doors Installation – Frame (cont'd)



3. Remove the bolts in the lower back portion of the roll bar, save this bolt and nut for the next step.



4. Attach the back lower hinge connector by attaching the bolt that was removed in the previous step. Orient the back lower hinge connector as shown above.



5. Install the lower connector bracket by removing the bolt shown above and installing the connector bracket below it.



6. Attach the hook behind the top curve of the rear roll bars as shown above.



7. Make sure the hinge faces outward

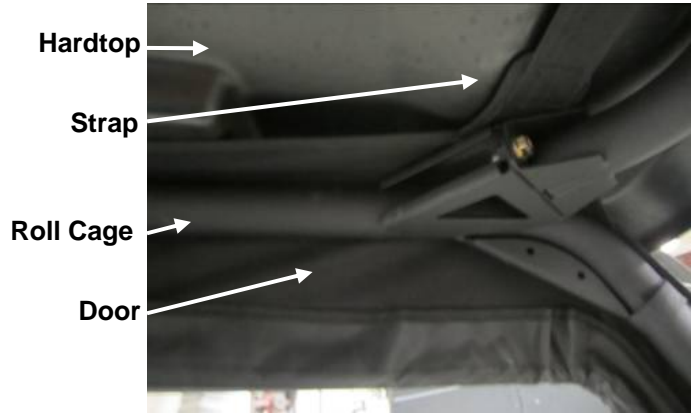


8. Raise the dump bed to make it easier to install the doors. Wrap the velcro around the vehicle's roll cage and the roll cage frame that was installed earlier.



10. There is a notch in the side doors that make it possible to slide the doors over the upper front connector clamp.

Ranger Doors Installation – Textiles



11. Pull the top straps over the roll cage and buckle. Straps should be tight.

12. When installing the doors in conjunction with a hardtop, the cross over straps should go under the hardtop.



13. Buckle the back straps and tighten.



14. Insert the door hinges into roll cage frame hinges



Mounting the doors with your windshield:



15. Attach the lower straps on the side panels by removing the torx bolts in the body panel (where the above arrow is pointing) and reinstall the bolts through the straps. Ensure that the straps are taut once installed. A 1/4" hole will need to be made with a sharp pointed tool through the straps to fit the bolts through.



16. Attach velcro to the roll bars as shown above and adhere the side panels to the roll bar. The velcro may need to be cut into separate pieces to accommodate your windshield's mounting system.

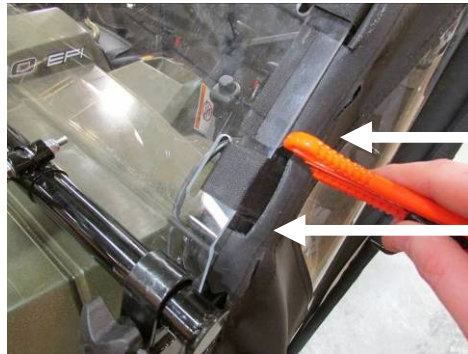


17. Place the side panel edge under the windshield.

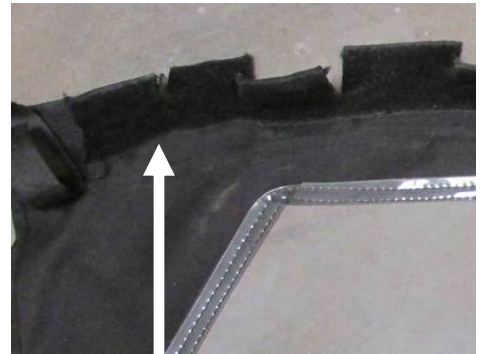
Ranger Doors Installation – Textiles (cont'd)



18. The edge of the side panel is designed to be trimmed to fit your windshield's mounting system. Mark the area to be trimmed around the clamps or straps.



19. Trim or slice the ranger door side panels while they are installed on the Ranger. Trim on two sides and leave a flap instead of a notch.



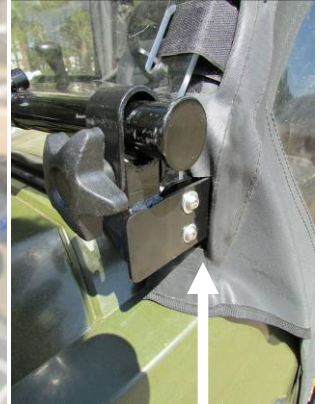
20. Don't cut the side panel past the edge of the velcro.



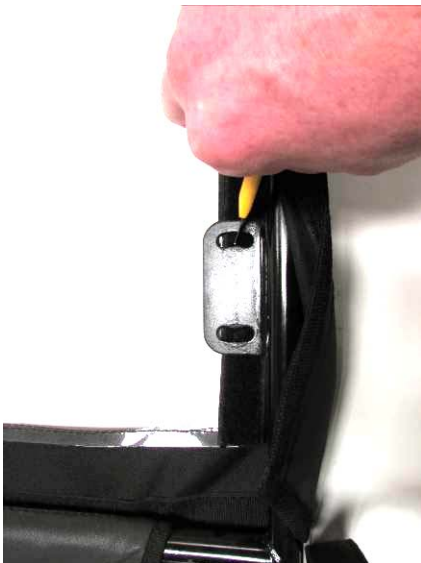
21. Mend the cuts with a lighter. Hold the flame on the materials edge just long enough to melt the edge slightly.



22. Fold the flaps back under the door side panel as shown above.



Installing the side view mirrors:



23. Cut small holes through the mirror brackets big enough to fit the bolts on the side view mirror



24. Attach the mirror through the fabric as shown above.



25. Installed side view mirror should be tight and sturdy.

Congratulations –
You have now finished
the installation of your
Seizmik Ranger Doors



Some adjustment
may be necessary
to ensure a tight fit.