

Installation & Operations Manual Yamaha Rhino Hood Rack



Seizmik makes Windshields, Doors, Tops, Hood Racks, Brush Guards, and other great accessories for utility vehicles & side x sides. Our products are engineered tough for long life and tested under the harshest of conditions.

Always observe the warnings and precautions in this manual when using your Seizmik products. For best results, carefully follow the instructions in this manual and make no modifications.

Seizmik products are designed, developed and manufactured by Vialink Corp. If you have any questions, comments, need assistance, or are missing parts, please call 1-866-838-3366 ext. 110 between 9:00AM and 5:00PM EST. You can email us at support@seizmik.com.

How to use this manual:

- Be sure to read through the entire manual carefully before beginning installation.
- Read all warnings and precautions carefully and follow safety procedures
- Each Seizmik product has a "difficulty-to-install" rating based on the following:
 - Easy – uses basic hand tools and does not require any modifications to the existing structure of your vehicle. Most Seizmik products fall into this category. Hey, why be difficult?
 - Skilled – requires a little more skill to install properly. May require modifications to the vehicle (drilling, electrical, etc. as well as the use of power tools.
 - Difficult – May require welding or extensive mechanical work for proper installation. Hardly any Seizmik products fall into this category but we had to say it.
- Watch for the following symbols:



CAUTION – Indicates an installation or operational step or procedure that if not followed could result in damage to the product or you. Use caution when you see this symbol and follow all instructions.



TIP – Indicates an installation or operation tip. These tips can help you avoid installation problems, ensure safe and easy operation, and make sure everything goes smoothly.

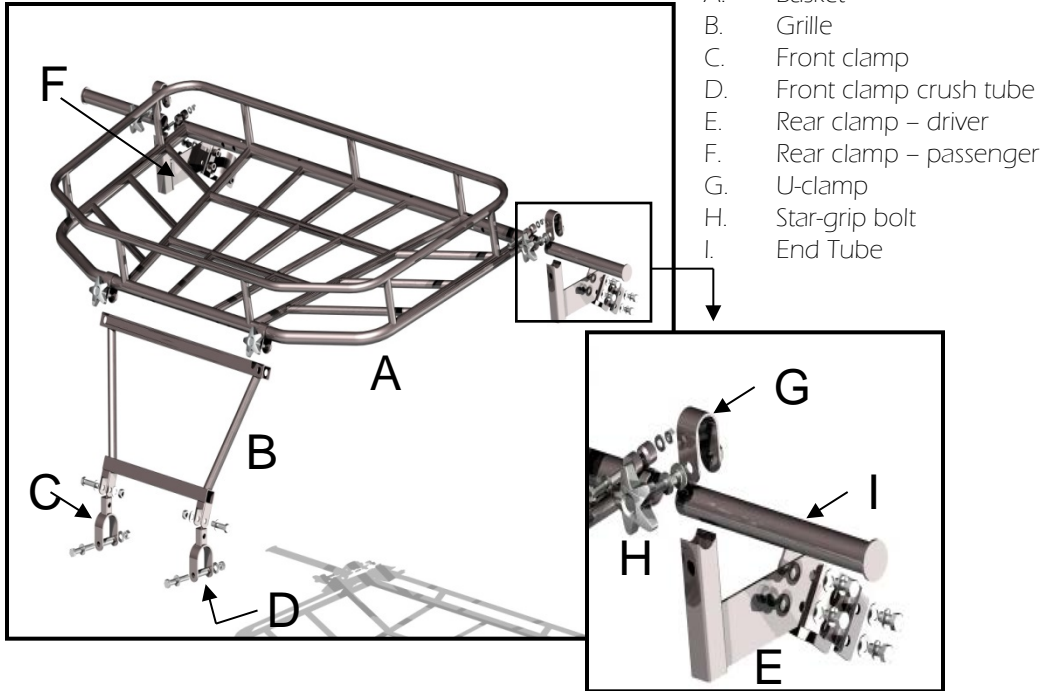


WARNING – Indicates an installation or operational procedure that must be observed to prevent serious injury or death.

Installation information:

- This product has an installation rating of: **Easy**
- Approximate installation time: **10 Minutes**
- This product is easiest to install with: **2 people**

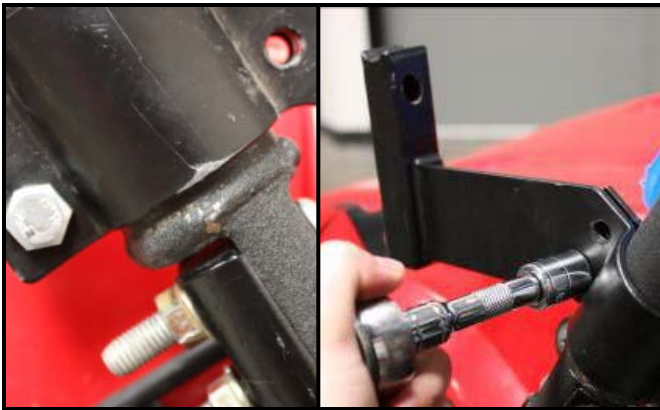
Parts List



Tools Needed

1. 9/16" Socket and Wrench
2. 5/8" Socket and Wrench
3. 1 1/16" Socket and Wrench
4. 10mm Socket and Wrench

Hood Rack Installation

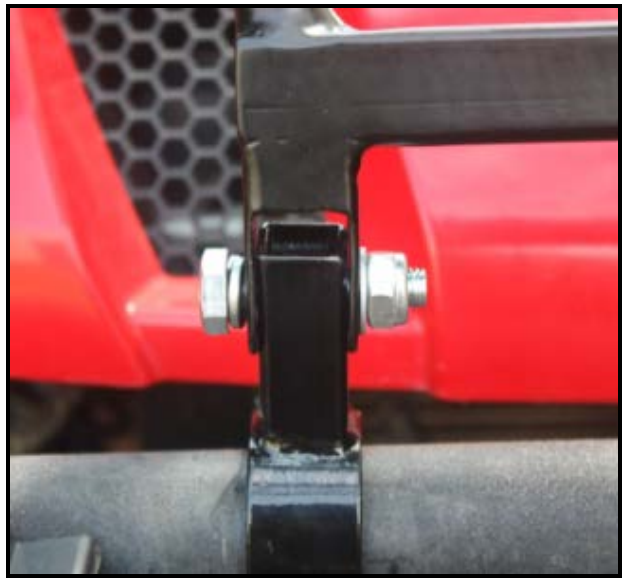


1. Mount a rear clamp onto the front roll cage tube, as shown. Use the included 3/8-18 x 3/4" hex (smaller) bolts & washers and tighten with your 9/16" socket and wrench. Position the large plate on the outside and the small clamp shell on the inside. The plate arm should be parallel to the centerline of the vehicle. Slide down until it hits the weld lug, tighten, and repeat on the passenger side.



2. Mount a front clamp to the center portion of the main bumper tube. Slide the "U" portion over the bumper tube, and put a crush tube between the two bolt holes at the bottom. Secure the assembly with a 3/8 – 16 x 2-1/2" (larger) bolts & washers with your 5/8" socket and wrench. Leave loose enough to reposition. Repeat this step to add the other front clamp.

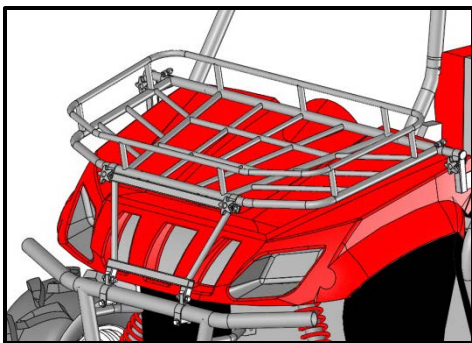




3. Attach the grille to the front clamps as shown, using the 3/8 - 16 x 1-3/4" hex bolts, washer, lock washer and nylock nut using your 11/16" socket and wrench.



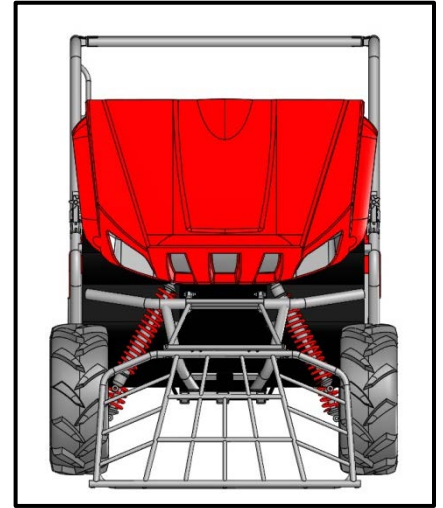
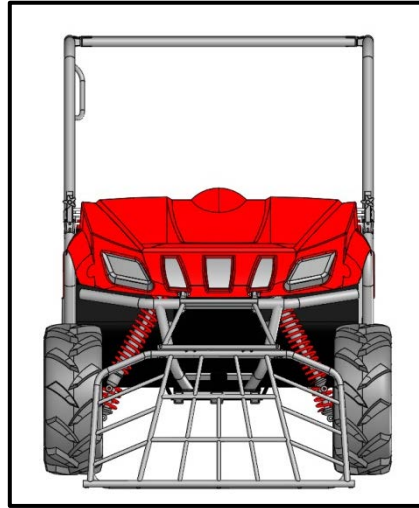
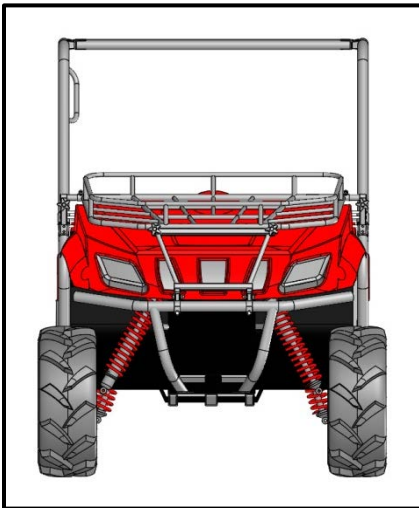
4. Insert one of the end tubes into the upper right hand side of the basket and secure with M6 x 40mm (smallest) hex bolt, nylock nut, and washer using your 10mm socket and wrench. Repeat on opposite side.



5. Have a friend hold the rear of the basket and set it on the rear clamp, while you set the front of the basket onto the grille.



6 – Secure the assembly with a U-clamp and star-grip bolt at each remaining point. Two at the top of the front grille, and one at each rear clamp.



7 – Lastly, to access under the hood: Remove the two rear star-grip bolts, and loosen (but do not remove) the other four. Rotate the rack assembly down and lift the hood.

Congratulations – You have now finished the installation of your Seizmik Hood Rack.

How to get Help - If you have any questions, comments, need assistance, or are missing parts, please call 1-866-838-3366 between 9:00AM and 5:00PM EST. You can email us at support@seizmik.com, visit www.seizmik.com to download installation guides and product info, or contact your powersports dealer where you purchased your Seizmik product if you need additional assistance.