

## Installation & Operations Manual 2009-2011 Polaris Ranger Hood Rack



Seizmik makes Winch Mounts, Storage Boxes, Hood Racks, Brush Guards, and other great accessories for utility vehicles & side x sides. Our products are engineered tough for long life and tested under the harshest of conditions. Always observe the warnings and precautions in this manual when using your Seizmik products. For best results, carefully follow the instructions in this manual and make no modifications.

Seizmik products are designed, developed and manufactured by Vialink Corp. If you have any questions, comments, need assistance, or are missing parts, please call 1-866-838-3366 ext. 110 between 9:00AM and 5:00PM EST. You can email us at [support@seizmik.com](mailto:support@seizmik.com).

### How to use this manual:

- Be sure to read through the entire manual carefully before beginning installation.
- Read all warnings and precautions carefully and follow safety procedures
- Each Seizmik product has a "difficulty-to-install" rating based on the following:
  - Easy – uses basic hand tools and does not require any modifications to the existing structure of your vehicle. Most Seizmik products fall into this category. Hey, why be difficult?
  - Skilled – requires a little more skill to install properly. May require modifications to the vehicle (drilling, electrical, etc. as well as the use of power tools.
  - Difficult – May require welding or extensive mechanical work for proper installation. Hardly any Seizmik products fall into this category but we had to say it.
- Watch for the following symbols:



**CAUTION** – Indicates an installation or operational step or procedure that if not followed could result in damage to the product or you. Use caution when you see this symbol and follow all instructions.



**TIP** – Indicates an installation or operation tip. These tips can help you avoid installation problems, ensure safe and easy operation, and make sure everything goes smoothly.

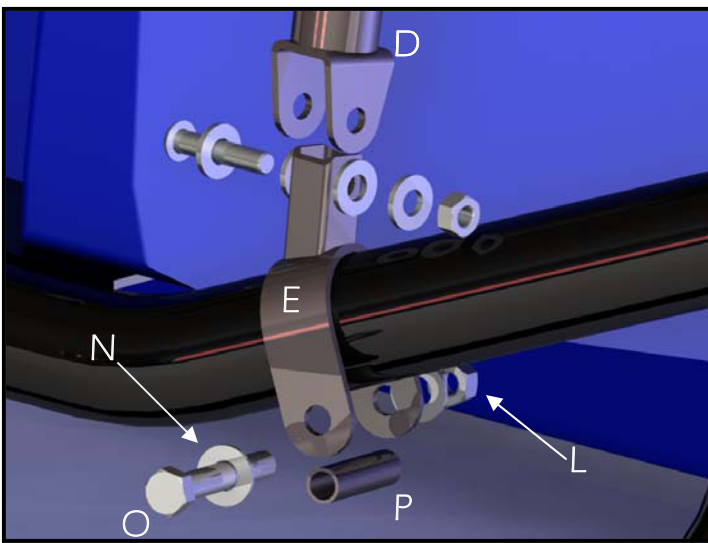
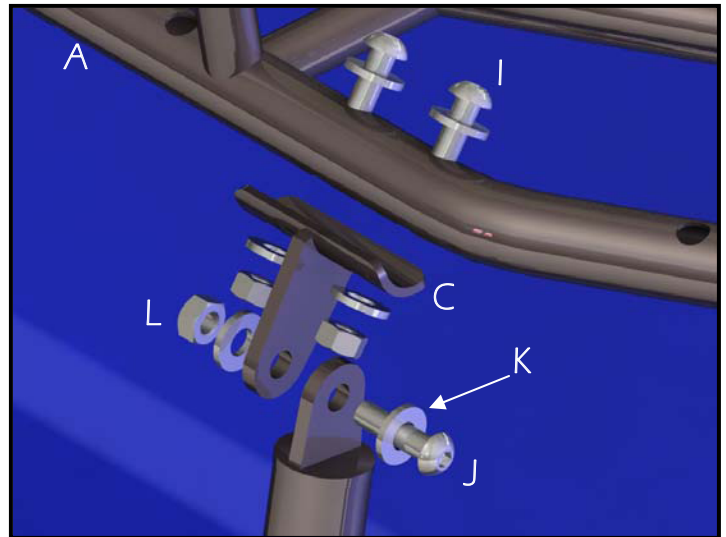
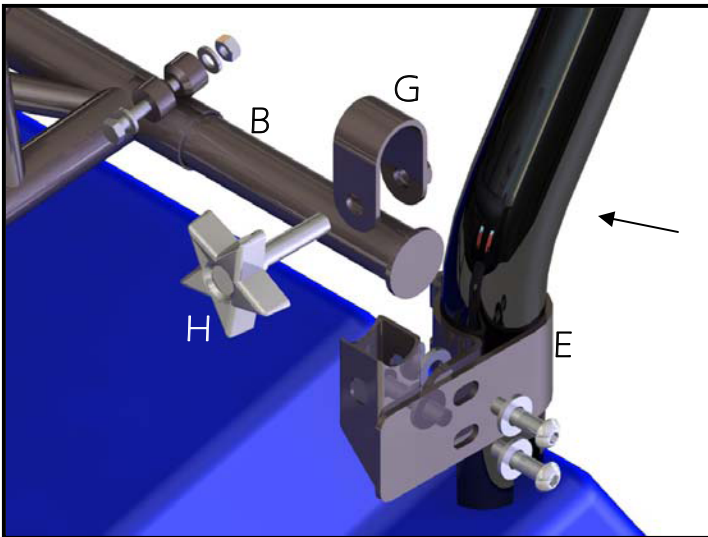


**WARNING** – Indicates an installation or operational procedure that must be observed to prevent serious injury or death.

### Installation information:

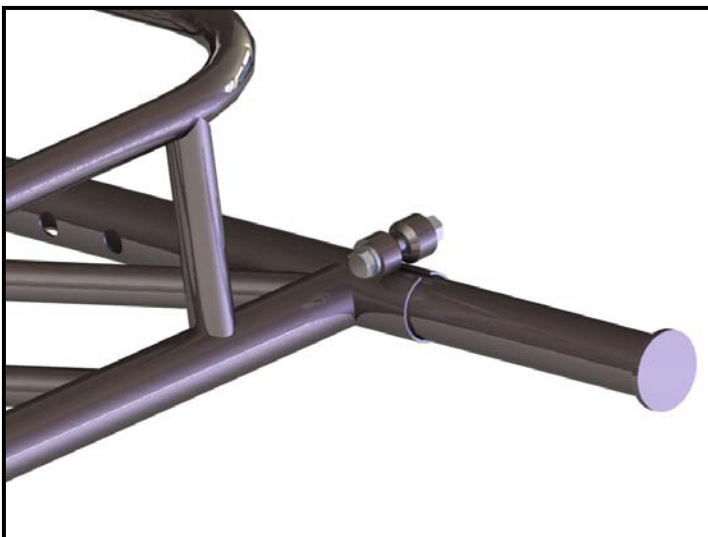
- This product has an installation rating of: **Skilled**
- Approximate installation time: **30-45 Minutes**
- This product is easiest to install with: **2 people**

## Kit Contents:



- A. Hood rack basket (1)
- B. Basket arm (2)
- C. Front tab (2)
- D. Front riser (1)
- E. Roll cage clamp (2)
- F. Bumper clamp (2)
- G. U-clamp (2)
- H. Star-grip bolt (2)
- I. M8 bolt - long (6)
- J. M8 bolt – short (2)
- K. M8 washer (10)
- L. M8 nylock nut (4)
- M. 3/8" bolt (2)
- N. 3/8" washer (4)
- O. 3/8" nut (2)
- P. Crush sleeve (2)

## Installation:

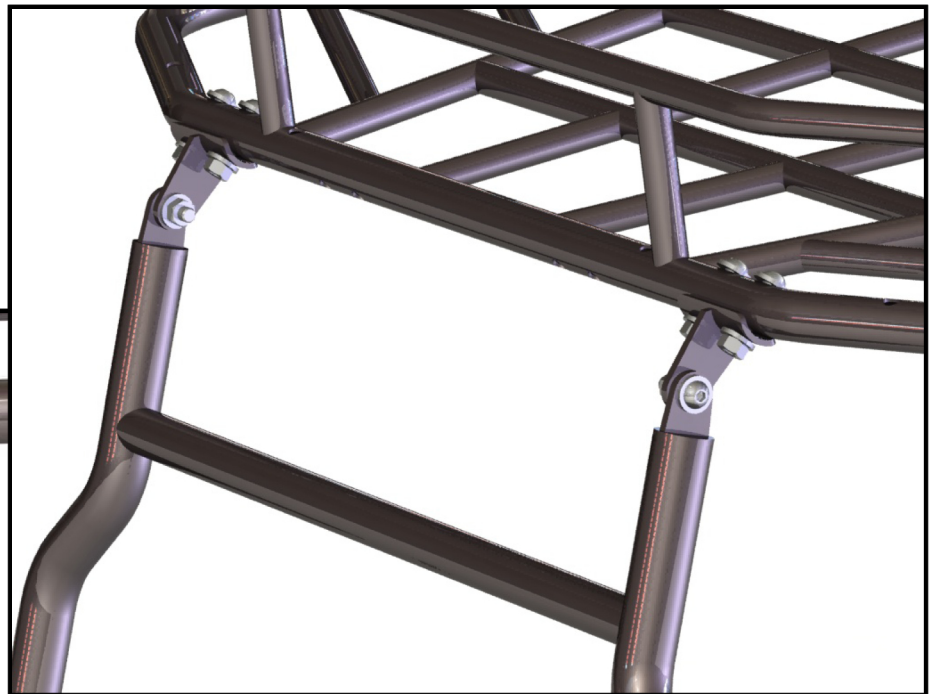


1. Slide the basket extension arms into the long receiver tube at the rear of the hood rack basket. Insert the M6 hardware through the two welded bosses as shown, and leave slightly loose for now. Repeat for the other side.

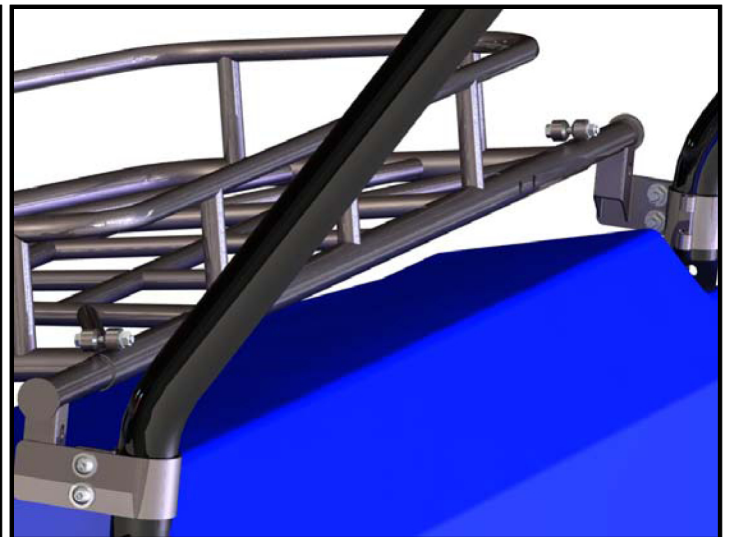
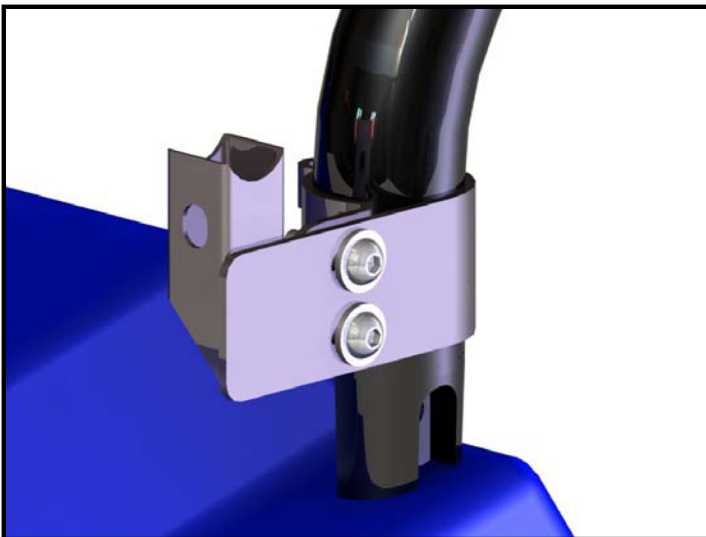
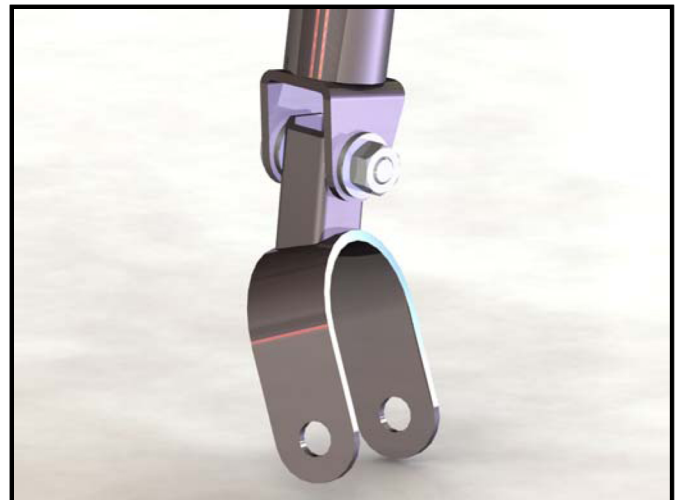
2. Bolt the two mounting tabs onto the front of the basket as shown, using the M8 x 40 bolts, washers & nuts. Use the outer sets of mounting holes in the basket. Leave slightly loose for now.

3. Attach the front riser to the basket tabs, as shown.

Bolt through using M8 x 30 bolts, washers and nuts.

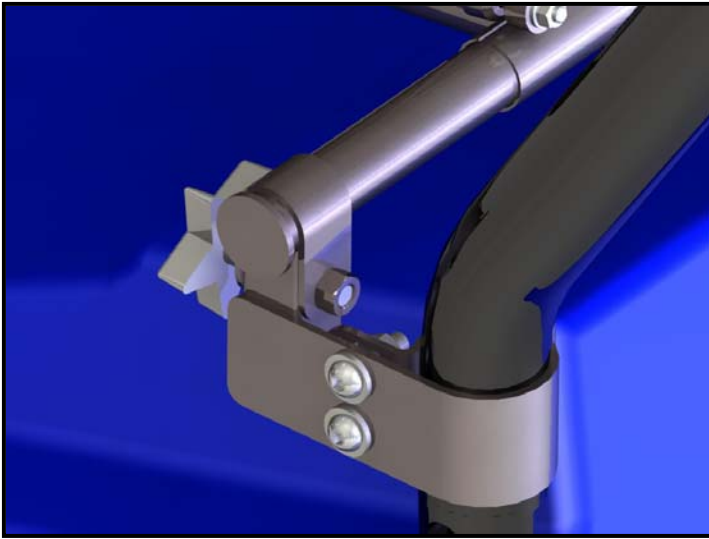


4. Attach the bumper clamps to the bottom of the front riser, as shown. Bolt through using M8 x 45 bolts, washers and nuts.

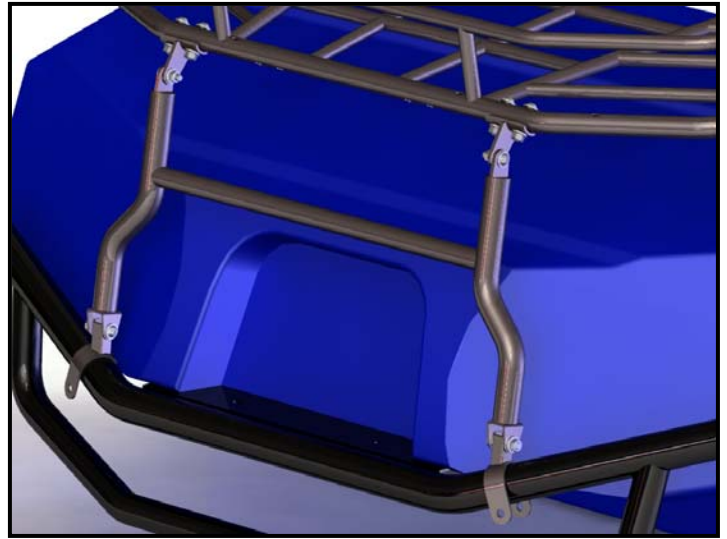


5. Install the driver-side roll cage clamp, setting the bottom of the clamp immediately above the weld bead on the cage tube. Orient the assembly so the tube portion is pointing forward. Bolt through the clamp arms as shown, using the M8 x 30 bolts, washers and nuts.

6. Have an assistant hold the front of the assembly while you set the basket arms down onto the rear clamps, as shown.



7. Adjust the width of the basket arms if necessary, and secure them with a U-clamp and star bolt.



8. Set the bumper clamps down onto the bumper.

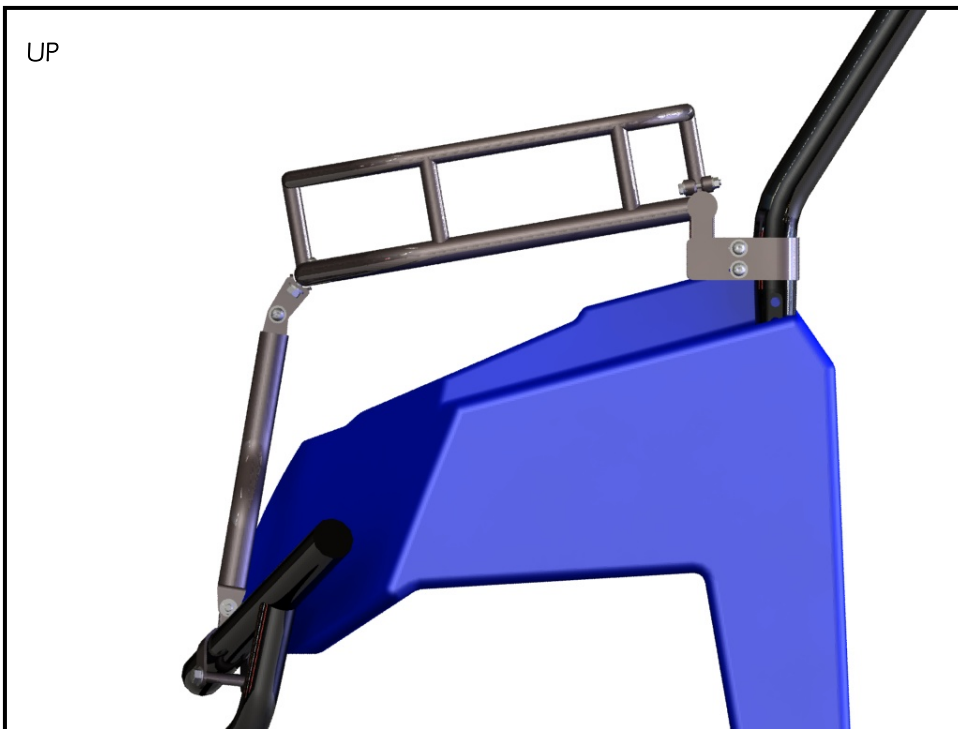


9. Secure the bumper clamps with the 3/8" bolts, washers and nuts, sliding a crush sleeve between the two clamp halves as shown.

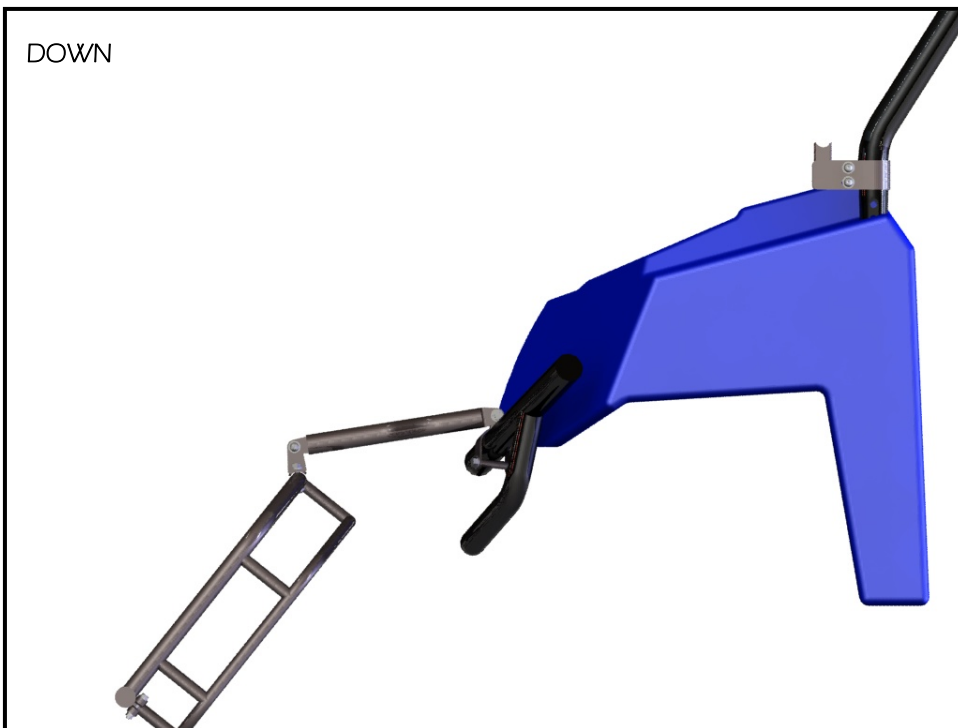
10. Tighten down all hardware.



## Fold-down Operation:



8. To fold down the hood rack, simply remove the rear U-clamps and star-grip bolts, and pivot the assembly forward and down.



**Congratulations** – You have now finished the installation of your Seizmik Hood Rack.

**How to get Help** - If you have any questions, comments, need assistance, or are missing parts, please call 1-866-838-3366 ext. 110 between 9:00AM and 5:00PM EST. You can email us at [support@seizmik.com](mailto:support@seizmik.com), visit [www.seizmik.com](http://www.seizmik.com) to download installation guides and product info, or contact your powersports dealer where you purchased your Seizmik product if you need additional assistance.