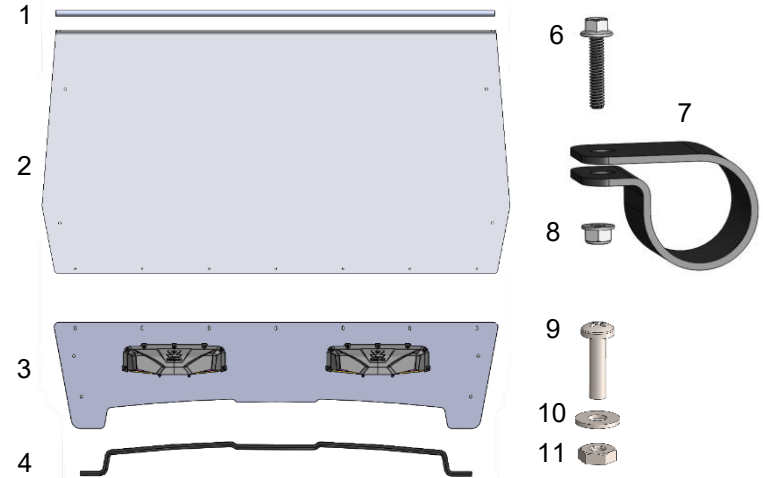


## Installation & Operations Manual John Deere Gator XUV Full Vented Windshield



### Kit Contents:



- |                                  |                                  |
|----------------------------------|----------------------------------|
| 1. Bulb Gasket (48 Inches)       | 7. 1.75" P clamp (8)             |
| 2. Windshield                    | 8. 1/4 20 Flange nut (8)         |
| 3. Lower ABS Panel with Vents    | 9. Phillips Head 10-24 Screw (7) |
| 4. Lower Gasket (46 Inches)      | 10. 10-24 Washer (14)            |
| 6. 1/4 20 x 1.25 Flange Bolt (8) | 11. 10-14 Locknut (7)            |

For item part numbers refer to the appendix at the back of these instructions.

### Installation Information:

This product does not require any modifications to your vehicle. Please familiarize yourself with all the steps before beginning assembly.

### Compatibility Info:

This windshield is designed to work with other Seizmik branded Accessories for the Gator XUV as well as the Gator XUV OEM Roof. Please note Seizmik cannot guarantee fitment with other branded aftermarket products. Please research installation details on our products and others when trying to combine different branded accessories.

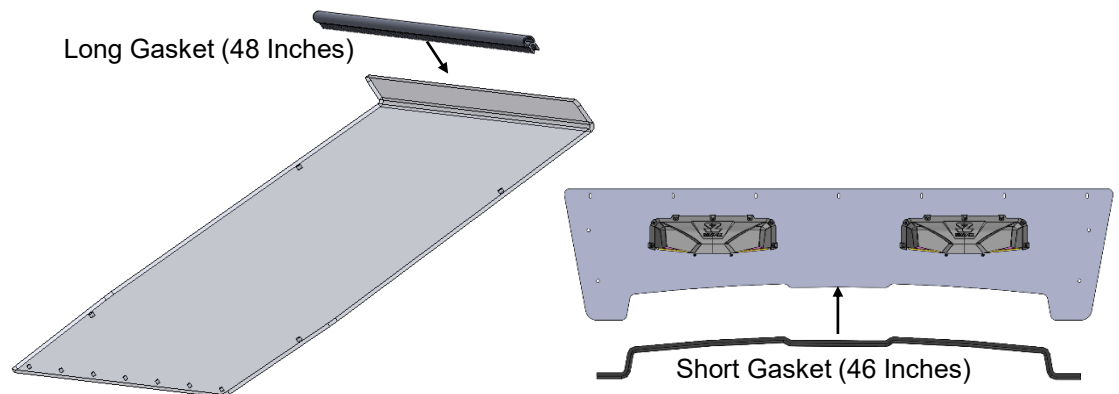
Seizmik makes Windshields, Mirrors, Door Kits, Light Bars, Hood Racks, and other great accessories for UTV's to maximize the vehicles usefulness. To help you do what you do better.

If you have any questions, comments, need assistance, or are missing parts, please call 1-866-838-3366 between 9:00AM and 5:00PM EST. Or email us at [service@seizmik.com](mailto:service@seizmik.com). Visit [www.seizmik.com](http://www.seizmik.com) for more information on our products.

### Installation:

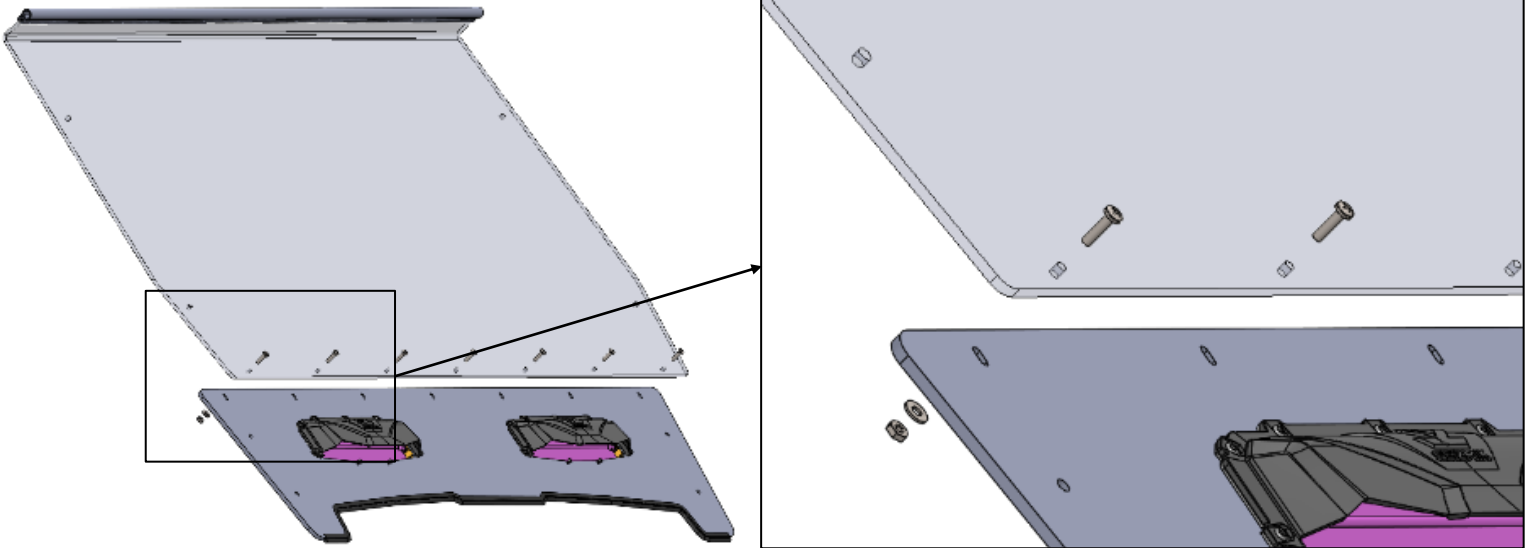


1. Peel plastic 4" back on all sides of windshield. Remove completely after windshield is fully installed.

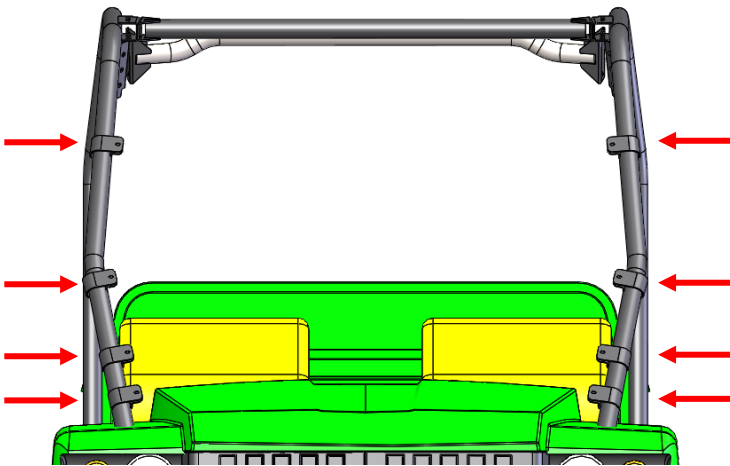


2. Push the long gasket (48 Inches) on the top of the windshield. Push the short gasket (46 Inches) on the bottom of the ABS panel.

# Installation:



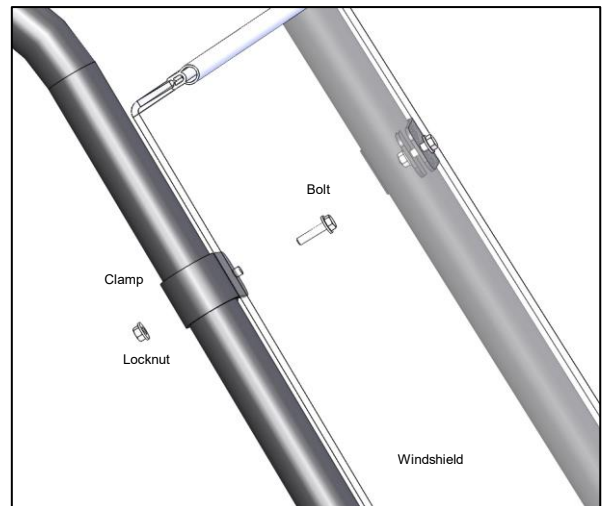
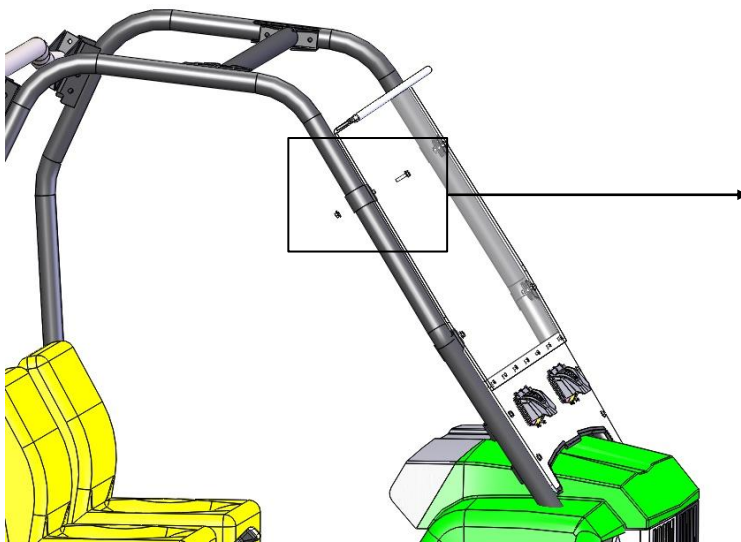
3. Bolt the ABS panel with vents and the top of the windshield together with 7 Phillips head screws, washers and locknuts. The windshield should lay on top of the ABS panel to prevent water from collecting on the seam. Do not fully tighten.



4. Place eight clamps in the approximate locations shown.



5. Lay the windshield on the vehicle, if you have a Gator OEM roof, insert the top part of the windshield into the groove in the roof first.



6. Attach the windshield with the included bolt, two washers, and locknut as shown. Make sure windshield is straight and square and fully tighten all bolts if satisfied with fitment.

## Instructions for Seizmik Cab System:

**SEIZMIK**



1. Make two careful cuts in the textile at the bottom and top of the upper P clamp.



2. Fold the flap backwards and singe any frayed parts of the textile with a lighter.

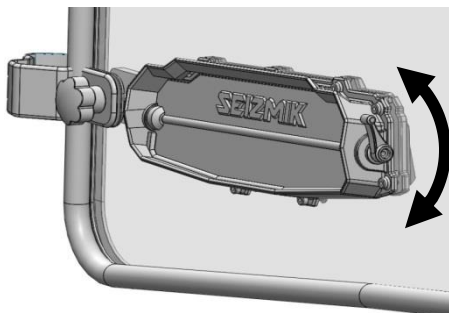


3. Peel back the adhesive strip.

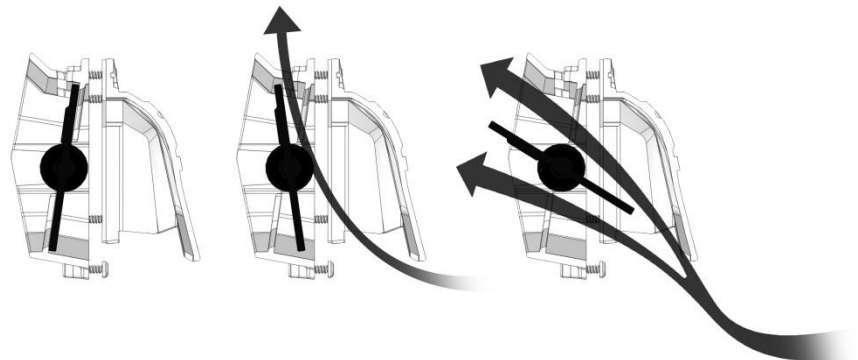


4. Adhere the textile to the front of the windshield.

## VENT OPERATION:



Turn handle to adjust vent. **If the vent seems too tight or too loose, it can be adjusted by turning the T10 Torx screw in the handle.**



The vent has 3 positions: Closed, Defog, and open.

# SEIZMIK®

## APPENDIX

| John Deere Gator XUV Full Vented Windshield(25030) |             |                              |
|--|-------------|------------------------------|
| Item #   | Part#       | Description                  |
| 1  | 54 SW-90341 | Bulb gasket 48"              |
| 2  | 54 SW-90339 | Uncoated Polycarbonate panel |
| 3  | 54 SW-90340 | Lower ABS Panel              |
| 4  | 54 SW-90332 | Bulb gasket 46"              |
| 7  | 54 SW-90246 | 1.75 plastic Clamp           |
| 6  | 54 SW-90334 | 1/4 20 x 1.25 flange Bolt    |
| 8  | 54 SW-90335 | 1/4 20 flange Locknut        |
| 9  | 54 SW-90342 | Phillips Head 10-24 Screw    |
| 10   | 54 SW-90343 | 10-24 Washer                 |
| 11   | 54 SW-90344 | 10-14 Locknut                |
|  | 54 SW-90156 | Vent/scoop                   |
|  | 54 SW-90157 | Louver Assembly              |
|  | 54 SW-90158 | Vent gasket                  |
|  | 54 SW-90159 | 6-20 x .75 screw             |

