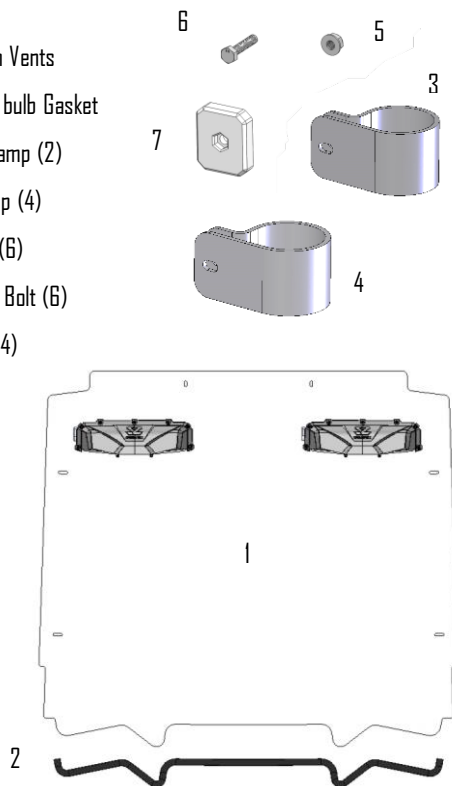


### Installation & Operations Manual Polaris RZR PRO XP Vented Windshield



#### Kit Contents:

1. Windshield with Vents
2. 43" 90 degree bulb Gasket
3. 1.75" plastic Clamp (2)
4. 2" plastic Clamp (4)
5. M6 Flange Nut (6)
6. M6x30mm Hex Bolt (6)
7. Backing Plate (4)



#### Installation Information:

This product does not require any modifications to your vehicle. Please familiarize yourself with all the steps before beginning assembly.

#### Compatibility Info:

This windshield is designed to work with other Seizmik branded Accessories for the Polaris RZR XP PRO as well as OEM Polaris hard tops. Please note Seizmik cannot guarantee fitment with other branded aftermarket products. Please research installation details on our products and others when trying to combine different branded accessories.

Seizmik makes Windshields, Mirrors, Door Kits, Light Bars, Hood Racks, and other great accessories for UTV's to maximize the vehicles usefulness. To help you do what you do better.

If you have any questions, comments, need assistance, or are missing parts, please call 1-866-838-3366 between 9:00AM and 5:00PM EST. Or email us at [service@seizmik.com](mailto:service@seizmik.com). Visit [www.seizmik.com](http://www.seizmik.com) for more information on our products.

For item part numbers refer to the appendix at the back of these instructions.

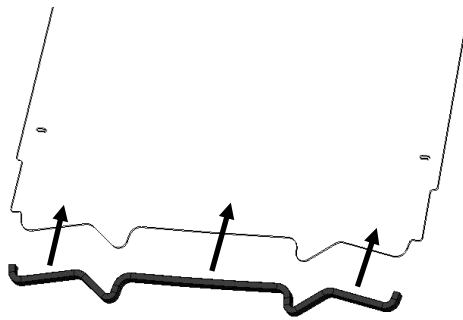
# Installation:



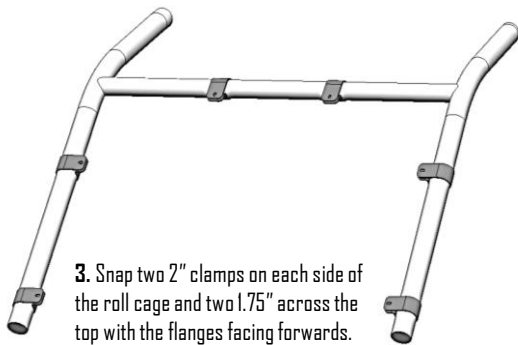
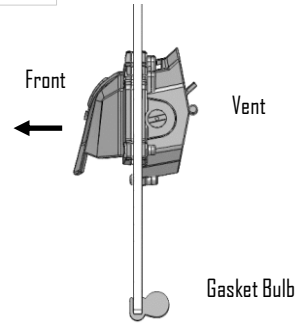
**Note:** If you have a roof installed you may need to loosen front bolts to install upper windshield clamps.



1. Peel plastic 4" back on bottom of windshield. Remove completely after windshield is fully installed.



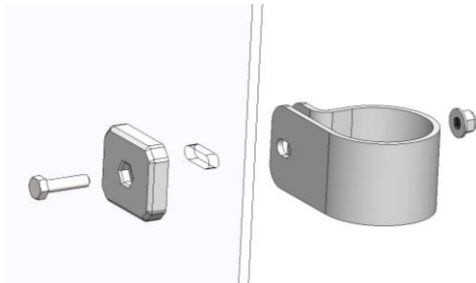
2. Push the gasket on the bottom of the windshield with the bulb section oriented as shown.



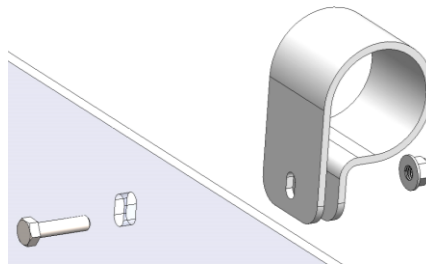
3. Snap two 2" clamps on each side of the roll cage and two 1.75" across the top with the flanges facing forwards.



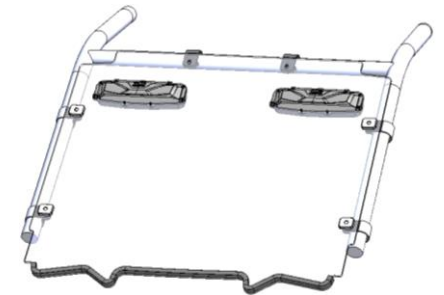
4. Place windshield on clamps.



4. Insert bolt through backing plates and windshield and loosely install nuts on the 2" side clamps. Alignment nub on backing plates should face towards center of windshield.

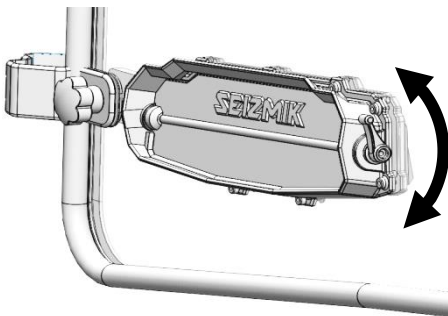


5. Insert bolt through windshield and loosely install nuts on the two top 1.75" clamps.

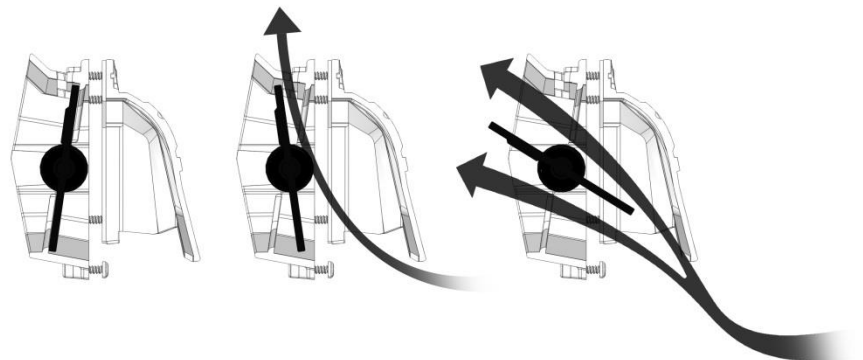


6. Make sure windshield is centered and tighten all nuts.

# VENT OPERATION:



Turn handle to adjust vent. **If the vent seems too tight or too loose, it can be adjusted by turning the T10 Torx screw in the handle.**



The vent has 3 positions: Closed, Defog, and open.

# SEIZMIK

## APPENDIX

Versa Vent Polaris RZR Pro XP (26103)		
Item #	Part#	Description
1	54 SW-90686	Double sided hardcoated polycarbonate panel (26103)
2	54 SW-90687	43" 90° bulb gasket
3	54 SW-90246	1.75" plastic P clamp
4	54 SW-90333	2" Plastic clamp
5	54 SW-90679	M6 Nyloc Flange nut
6	54 SW-90678	M6 x 30 Plastic backing plate bolt
7	54 SW-90219	Plastic backing plate
	54 SW-90156	Vent/scoop
	54 SW-90157	Louver Assembly
	54 SW-90158	Vent gasket
	54 SW-90159	6-20 x .75 screw

