

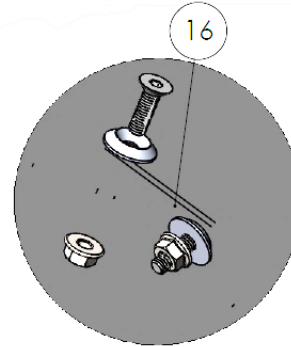
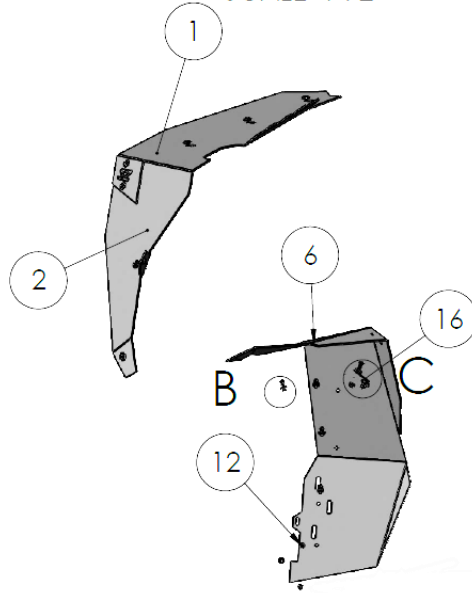
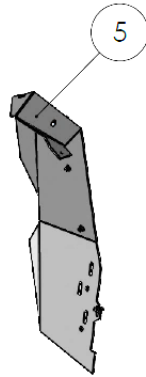
**RZR XP 1000/ Turbo S Seizmik  
Fender Flare Manual  
Part # 67-10007**



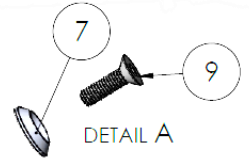
Always observe the warnings and precautions in this manual when using your Seizmik products. For best results, carefully follow the instructions in this manual and make no modifications.

If you have any questions, comments, need assistance, or are missing parts, please call 1-866-838-3366 between 9:00AM and 5:00PM EST. You can email us at [support@seizmik.com](mailto:support@seizmik.com)

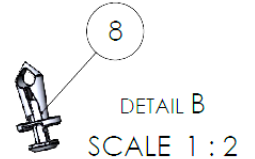
ITEM NO.	DESCRIPTION	PART NUMBER	QTY.
1	Pass Side Upper Rear Flare	67-10013	1
2	Pass Side Lower Rear Flare	67-10014	1
3	Driv Side Lower Rear Flare	67-10015	1
4	Driv Side Upper Rear Flare	67-10016	1
5	Pass Side Front Flare	67-10017	1
6	Driv Side Front Flare	67-10018	1
7	M6 Countersunk Washer AL	54-96019	22
8	Plastic Push Rivet	54-96010	10
9	M6x20mm CNSK Bolt	54-96012	18
10	M6 Locknut SS	54-960135	24
11	M6x35mm CNSK Bolt	54-96018	4
12	M5x20mm Sheet Metal Screw	54-96011	4
13	Pass Side Rear Bracket	67-10019	1
14	Driv Side Rear Bracket	67-10020	1
15	Pass Side Front Bracket	67-10021	1
16	Driv Side Front Bracket	67-10022	1
17	Spacer	54-90056-S	4



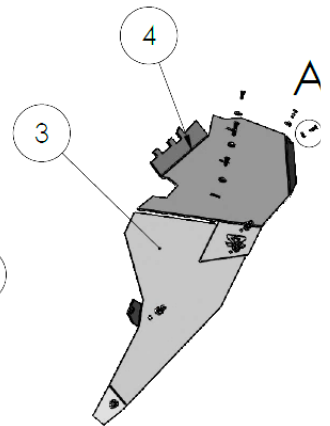
DETAIL C  
SCALE 1 : 2



DETAIL A  
SCALE 1 : 2



DETAIL B  
SCALE 1 : 2

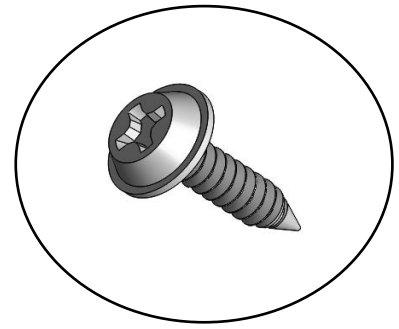


Always observe the warnings and precautions in this manual when using your Seizmik products. For best results, carefully follow the instructions in this manual and make no modifications.

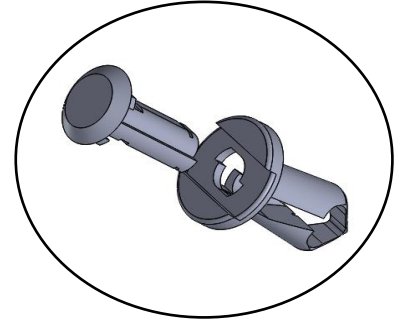
If you have any questions, comments, need assistance, or are missing parts, please call 1-866-838-3366 between 9:00AM and 5:00PM EST. You can email us at [support@seizmik.com](mailto:support@seizmik.com)



Screw directly into vehicle body



Use a 3/8" drill bit to drill into body of your vehicle and install push rivet



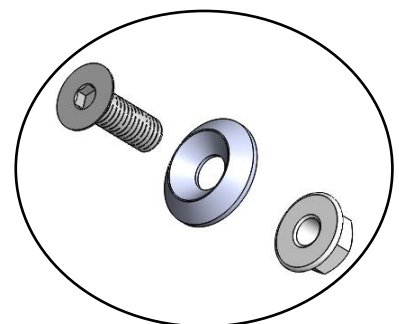
Metal Bracket, go to page 4



Remove stock fastener and re-install with fender flare

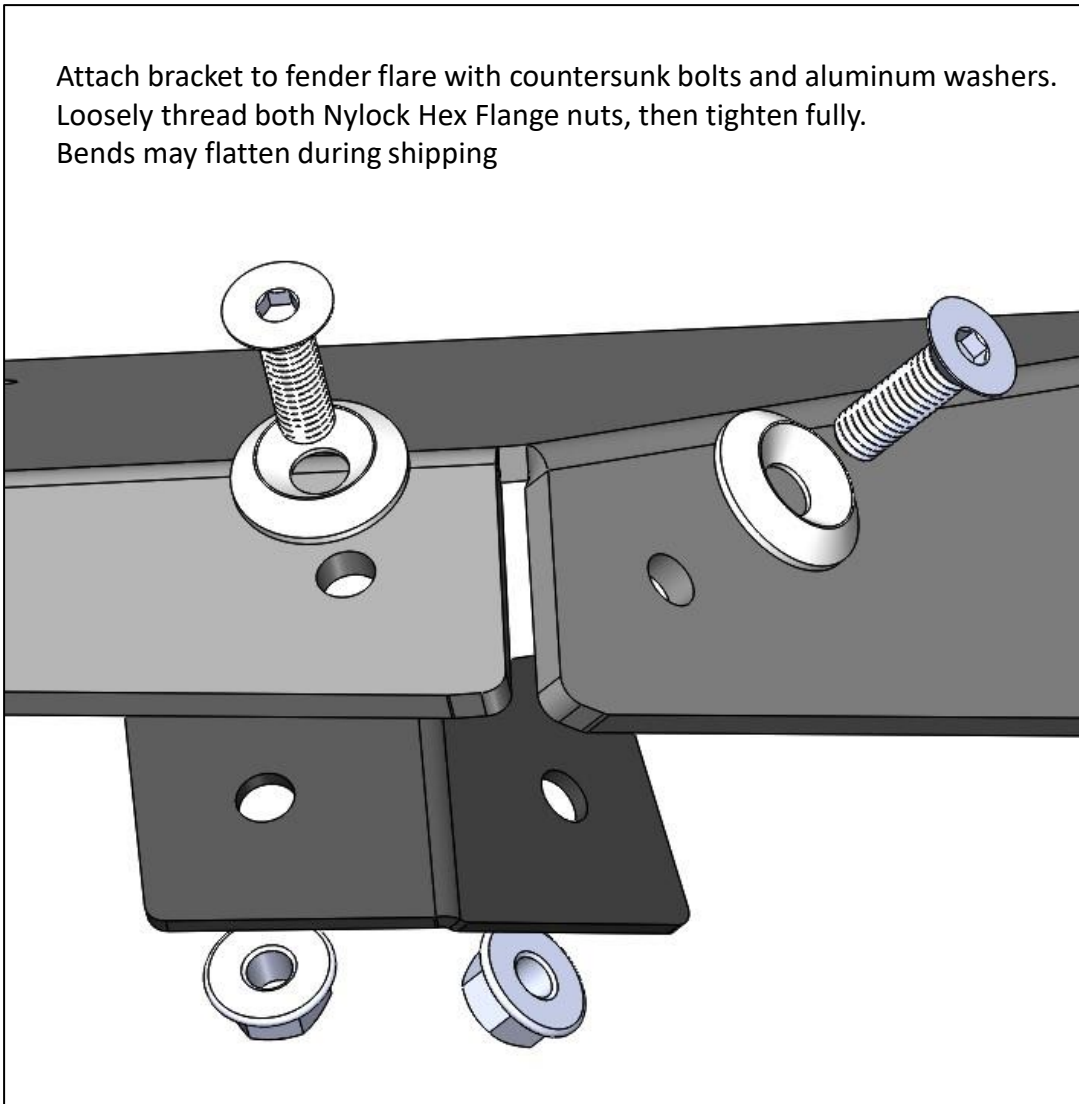


Use a 1/4" drill bit to drill through your vehicle body and install a countersunk bolt, washer, and M6 nut, unless otherwise stated



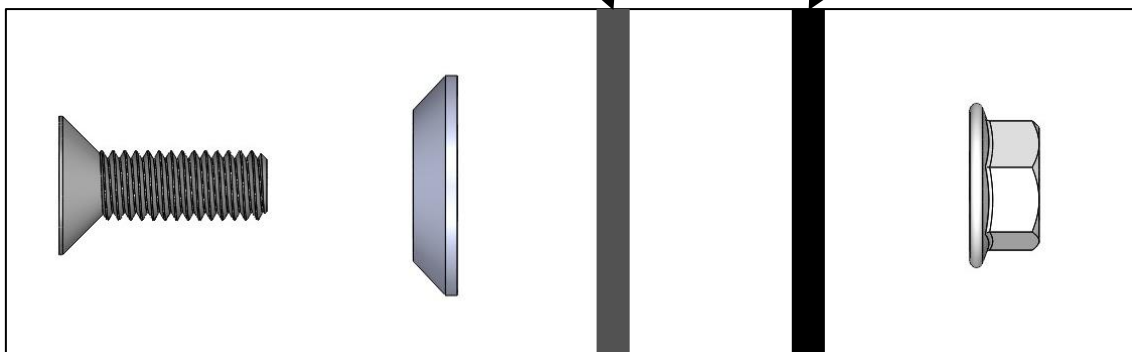
## Install all brackets

Attach bracket to fender flare with countersunk bolts and aluminum washers.  
Loosely thread both Nylock Hex Flange nuts, then tighten fully.  
Bends may flatten during shipping



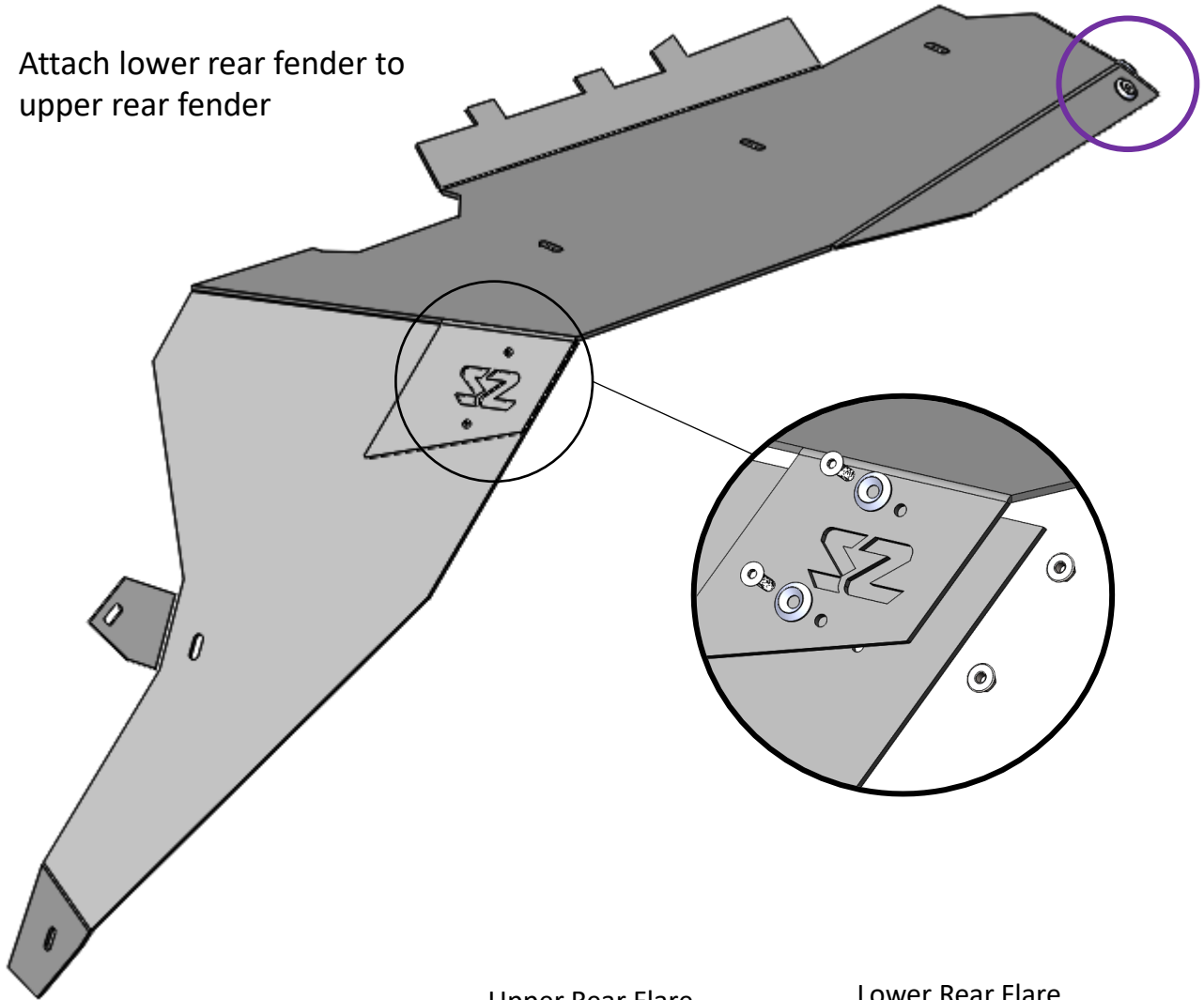
Fender Flare

Metal Bracket



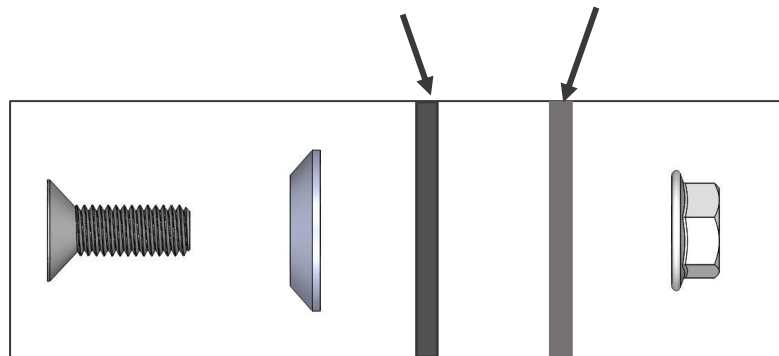
## Rear Fender

Attach lower rear fender to upper rear fender



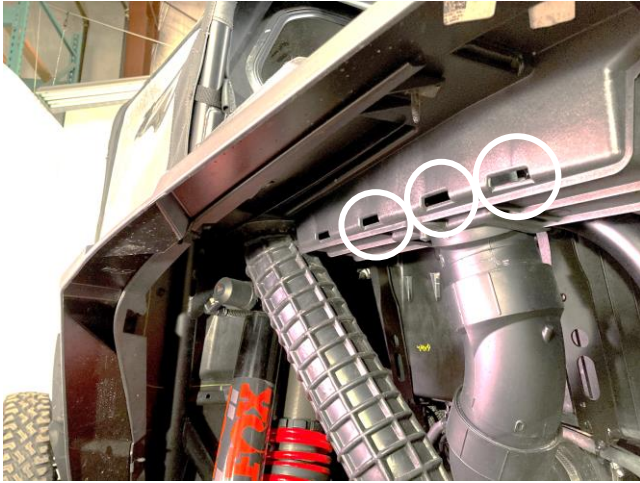
Upper Rear Flare

Lower Rear Flare

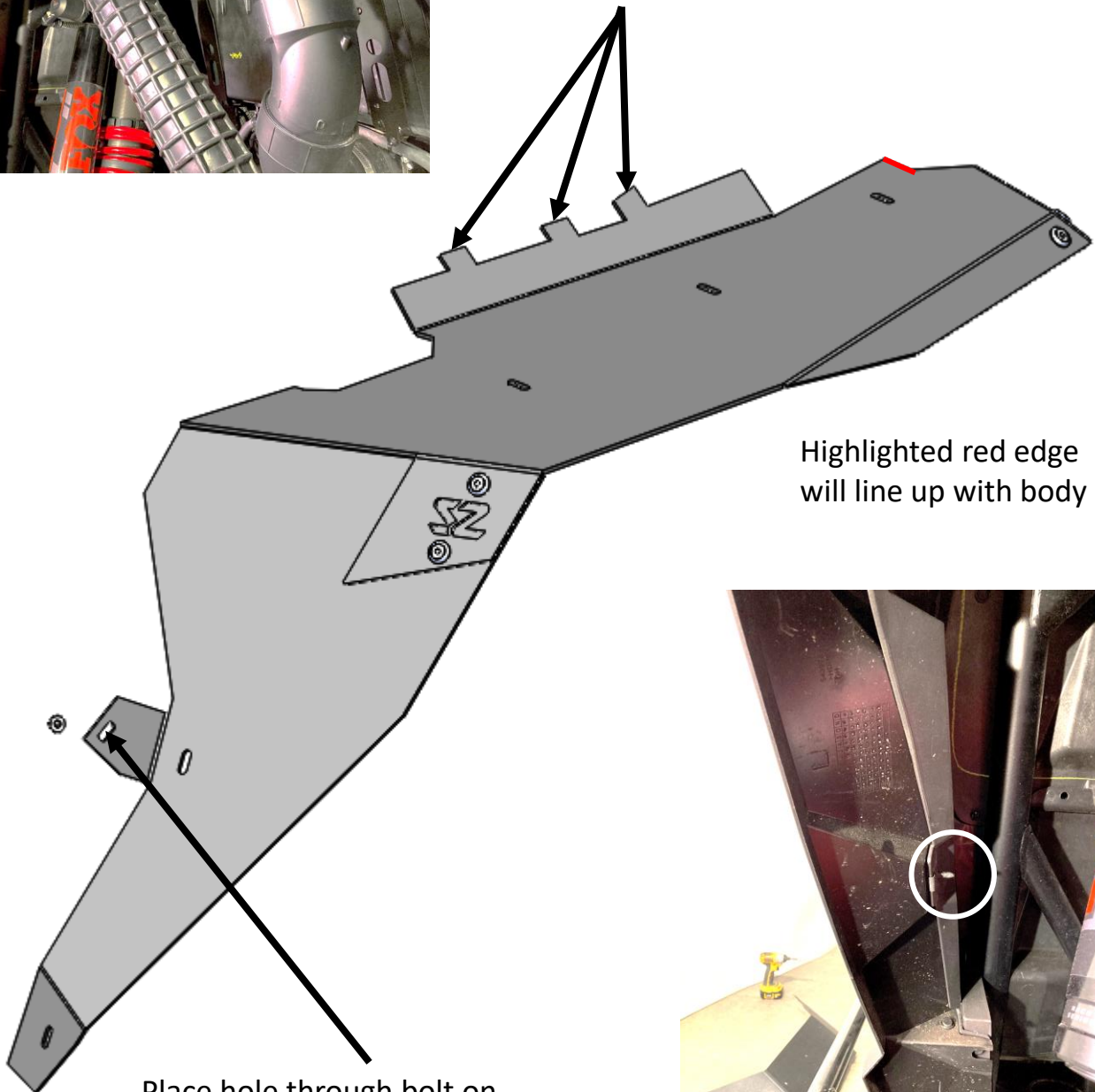


← Front of Vehicle

## Rear Fender

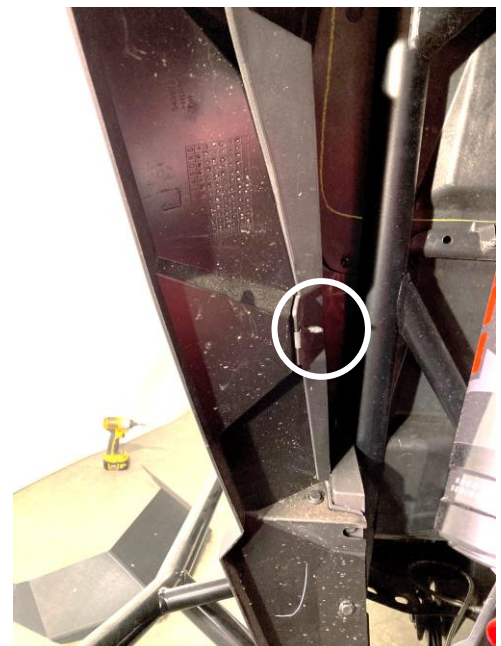


Tabs insert in vehicle, on inner edge of vehicle bed



Highlighted red edge will line up with body

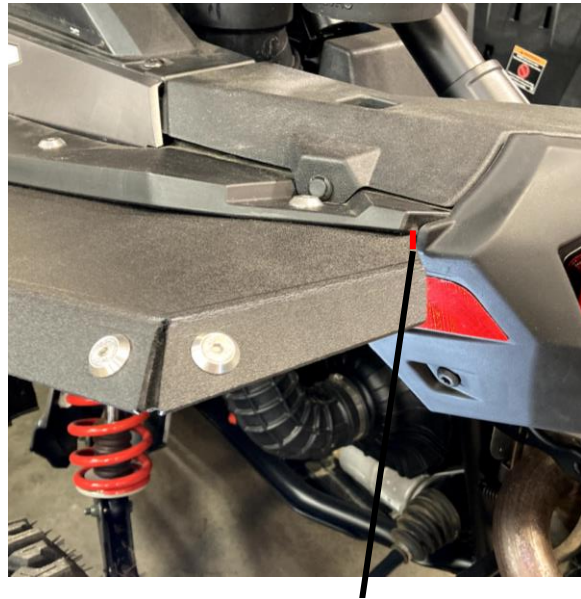
Place hole through bolt on vehicle and secure with M6 nut



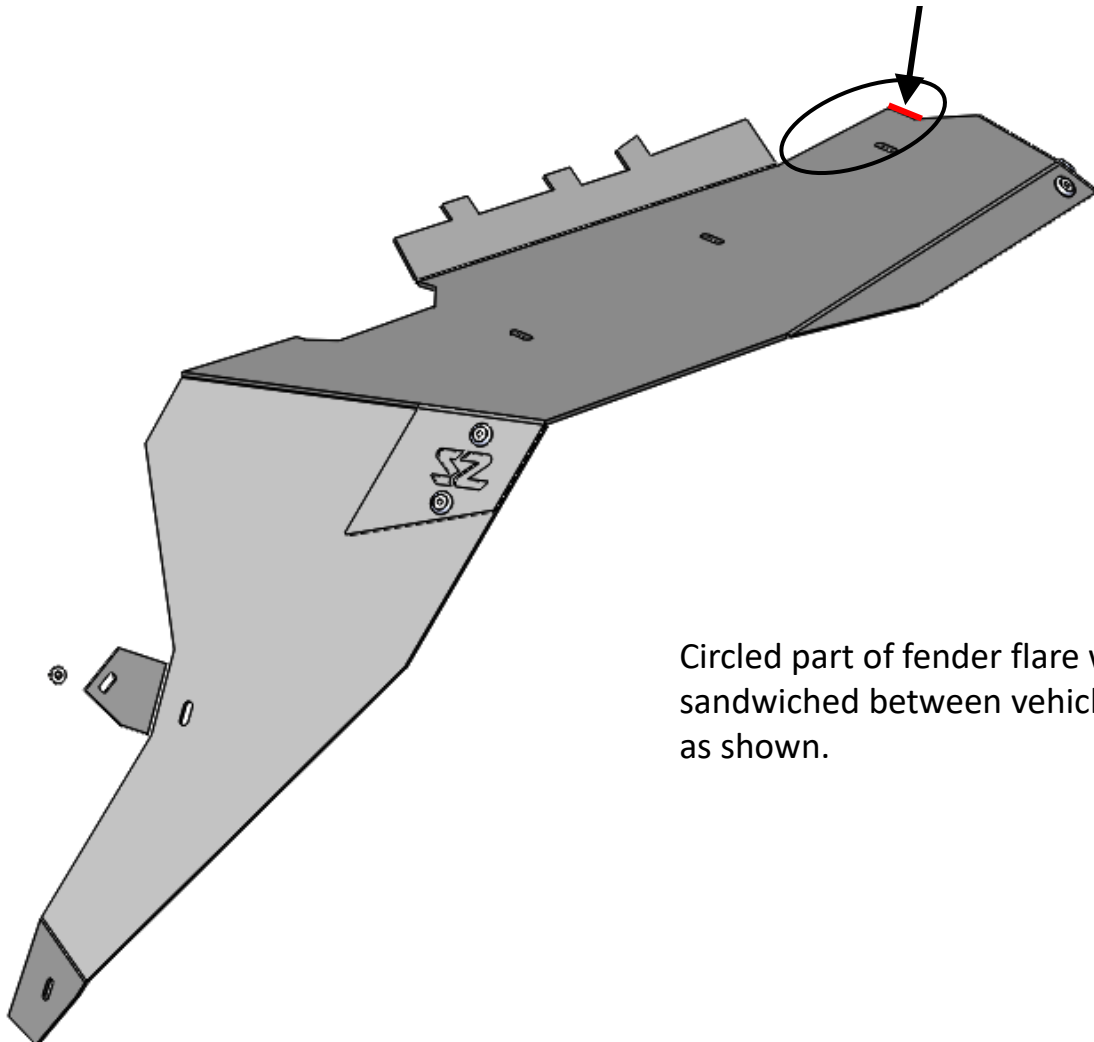
## Rear Fender



Underside of Rear Fender

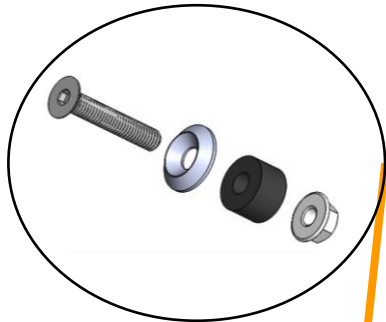


Top side of Rear Fender

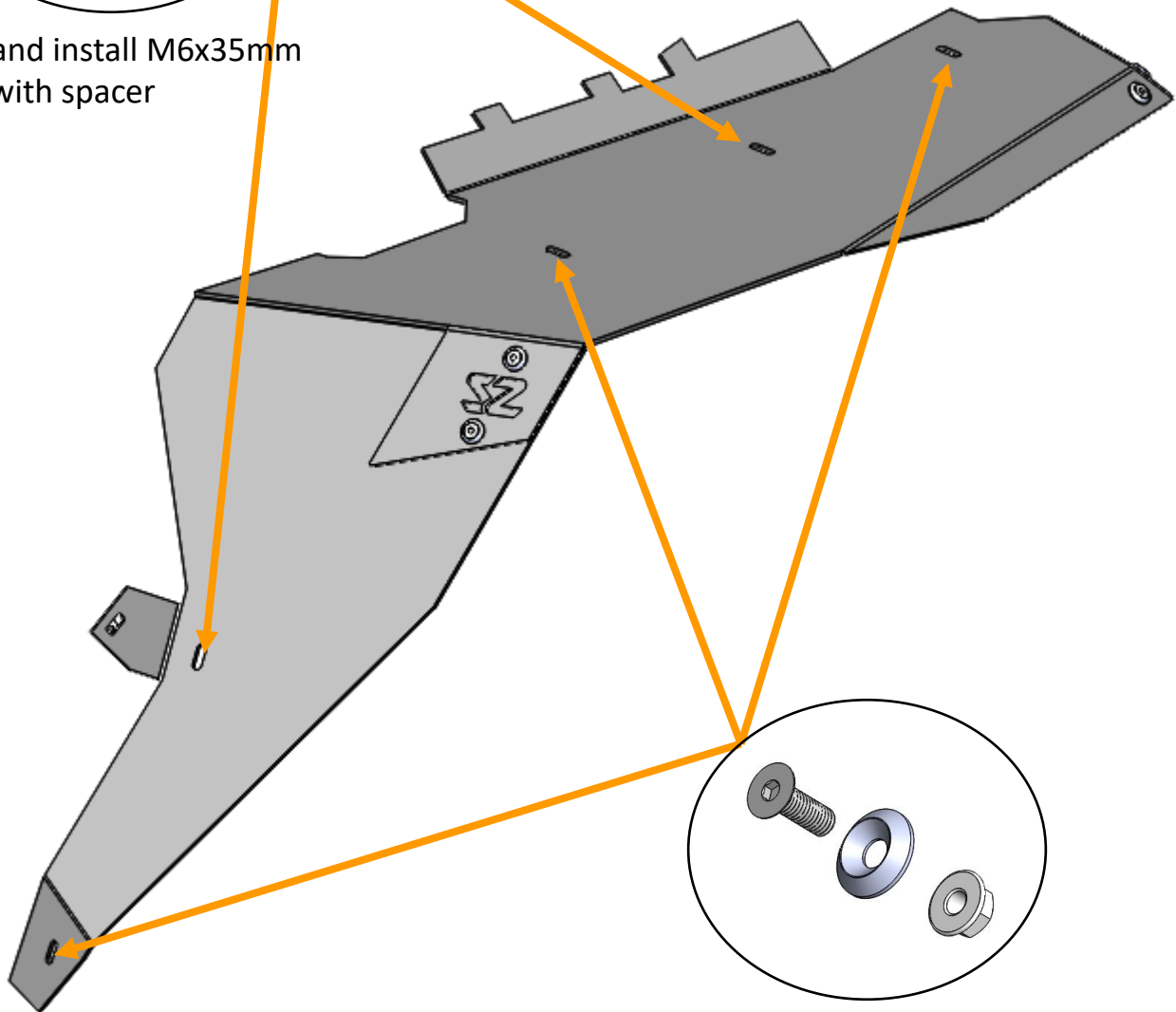


Circled part of fender flare will be sandwiched between vehicle body as shown.

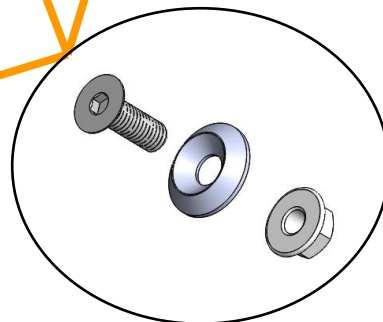
## Rear Fender



Drill and install M6x35mm bolt with spacer



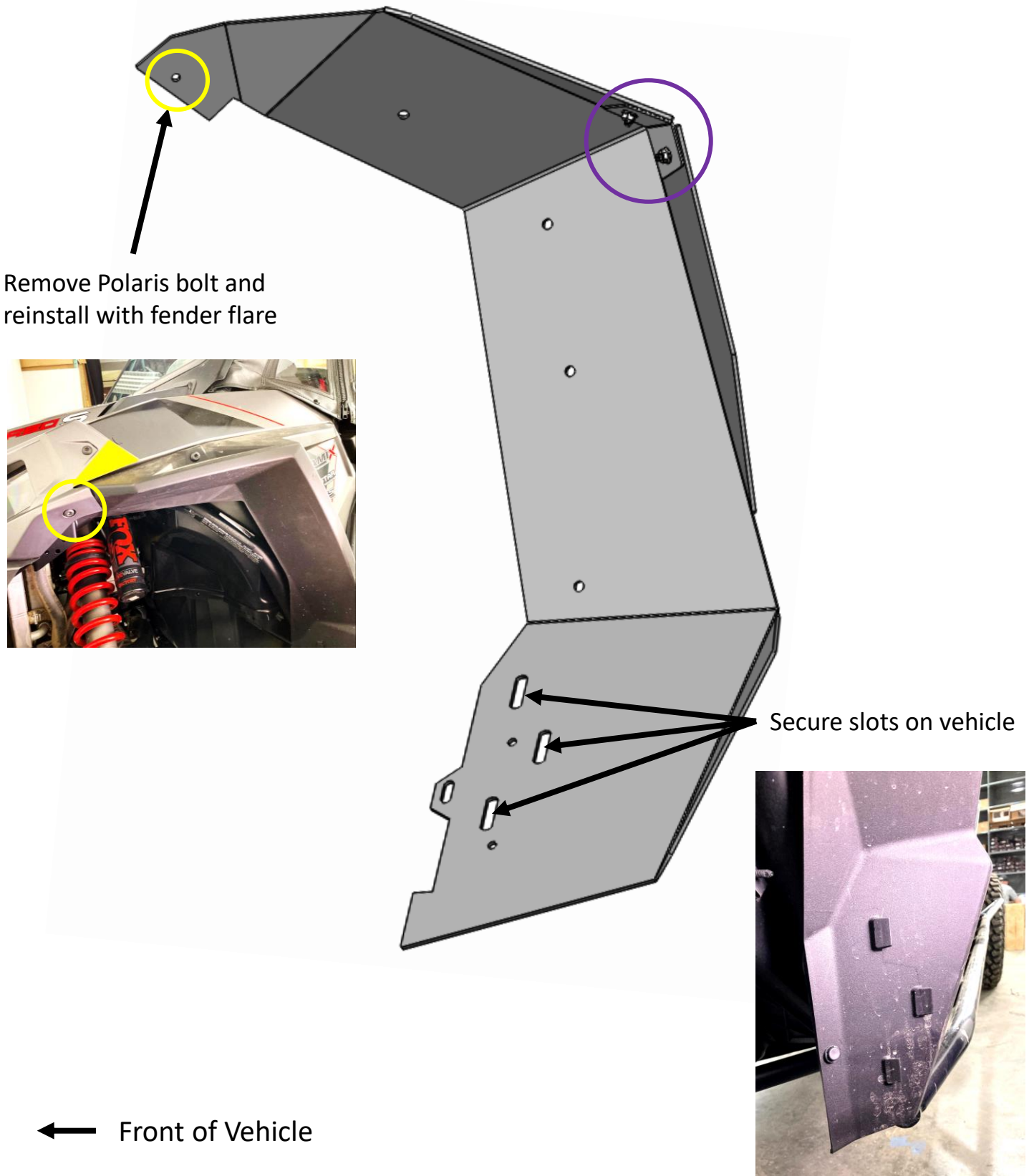
Spacer goes **between** fender flare and vehicle body



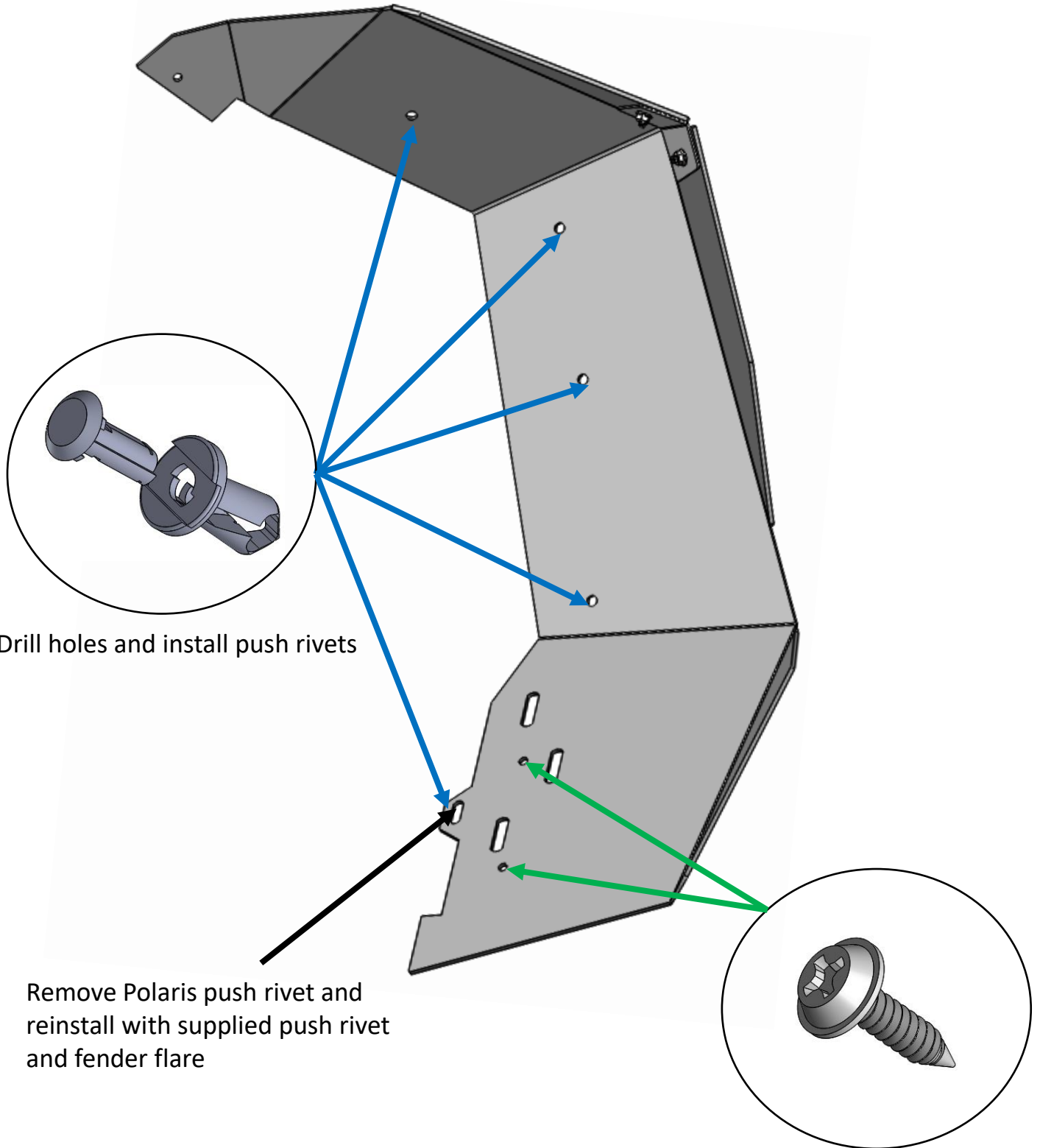
Drill and install M6x20mm bolt



## Front Fender



## Front Fender



Drill holes and install push rivets

Remove Polaris push rivet and  
reinstall with supplied push rivet  
and fender flare

Install screws