

# RZR PRO XP Seizmik Fender Flare Manual

## Part # 67-10009

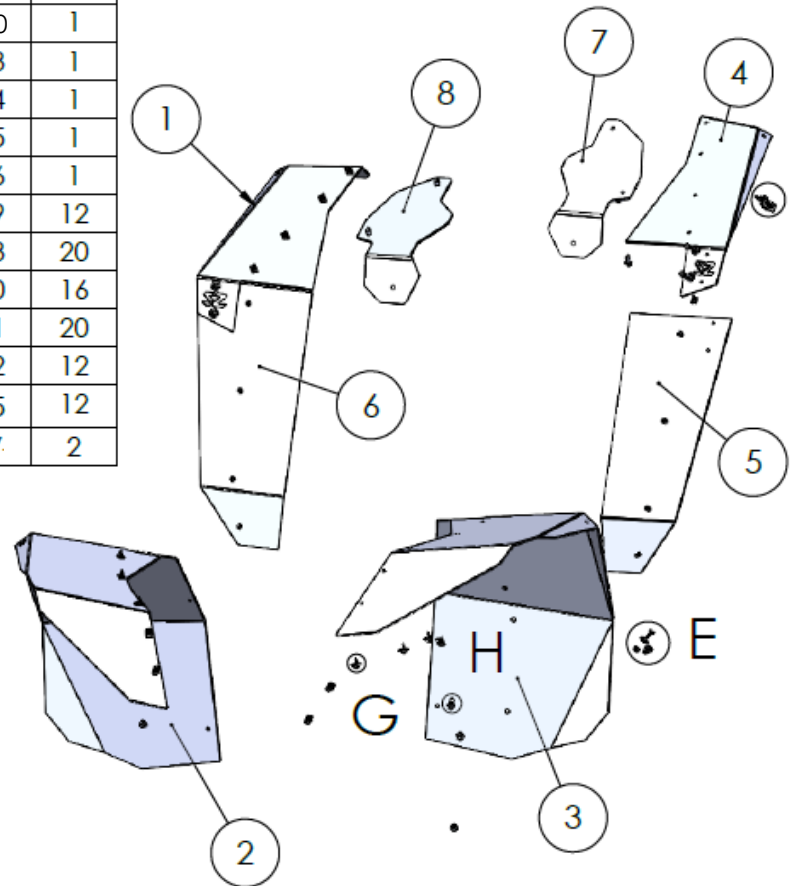
**SEIZMIK**



Always observe the warnings and precautions in this manual when using your Seizmik products. For best results, carefully follow the instructions in this manual and make no modifications.

If you have any questions, comments, need assistance, or are missing parts, please call 1-866-838-3366 between 9:00AM and 5:00PM EST. You can email us at [support@seizmik.com](mailto:support@seizmik.com)

ITEM NO.	DESCRIPTION	AX PART #	QTY.
1	SP_FF06_P1_01 Pass Rear Upper Fender	67-10036	1
2	SP_FF06_P2_04 Pass Front Fender	67-10042	1
3	SP_FF06_P3_04 Driv Front Fender	67-10037	1
4	SP_FF06_P4_01 Driv Rear Upper Fender	67-10038	1
5	SP_FF06_P5_02 Driv Rear Lower Fender	67-10039	1
6	SP_FF06_P6_02 Pass Rear Lower Fender	67-10035	1
7	SP_FF03_P5_03 Driv Rear Aux Piece	67-10839	1
8	SP_FF03_P6_03 Pass Rear Aux Piece	67-10840	1
9	SP_FF06_B1_02 Driv Front Bracket	67-10043	1
10	SP_FF06_B2_01 Driv Rear Bracket	67-10044	1
11	SP_FF06_B3_02 Pass Front Bracket	67-10045	1
12	SP_FF06_B4_01 Pass Rear Bracket	67-10046	1
13	Countersunk Washer AL	54-96019	12
14	Push Nut	54-96013	20
15	Plastic Push Rivet	54-96010	16
16	M5x20mm Sheet Metal Screw	54-96011	20
17	M6x20mm Countersunk Bolt	54-96012	12
18	M6 Hex Flange Nut	54-960135	12
19	M6x20mm Bolt	99-10007	2

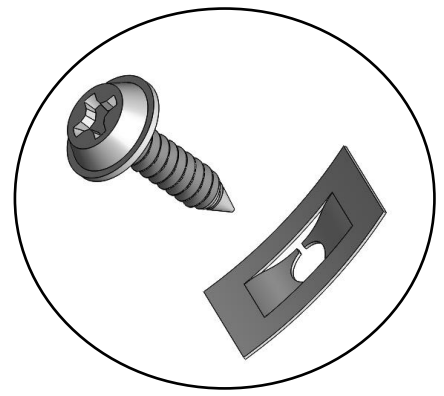


Always observe the warnings and precautions in this manual when using your Seizmik products. For best results, carefully follow the instructions in this manual and make no modifications.

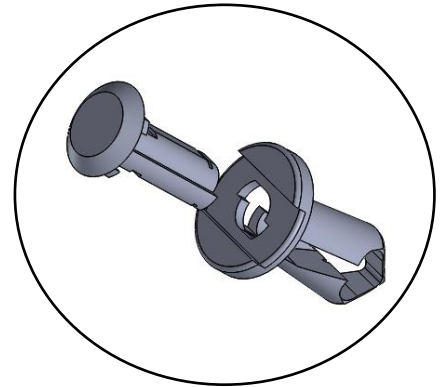
If you have any questions, comments, need assistance, or are missing parts, please call 1-866-838-3366 between 9:00AM and 5:00PM EST. You can email us at [support@seizmik.com](mailto:support@seizmik.com)



Screw directly into vehicle body,  
back with push nut



Use a 3/8" drill bit to drill into  
body of your vehicle and install push rivet



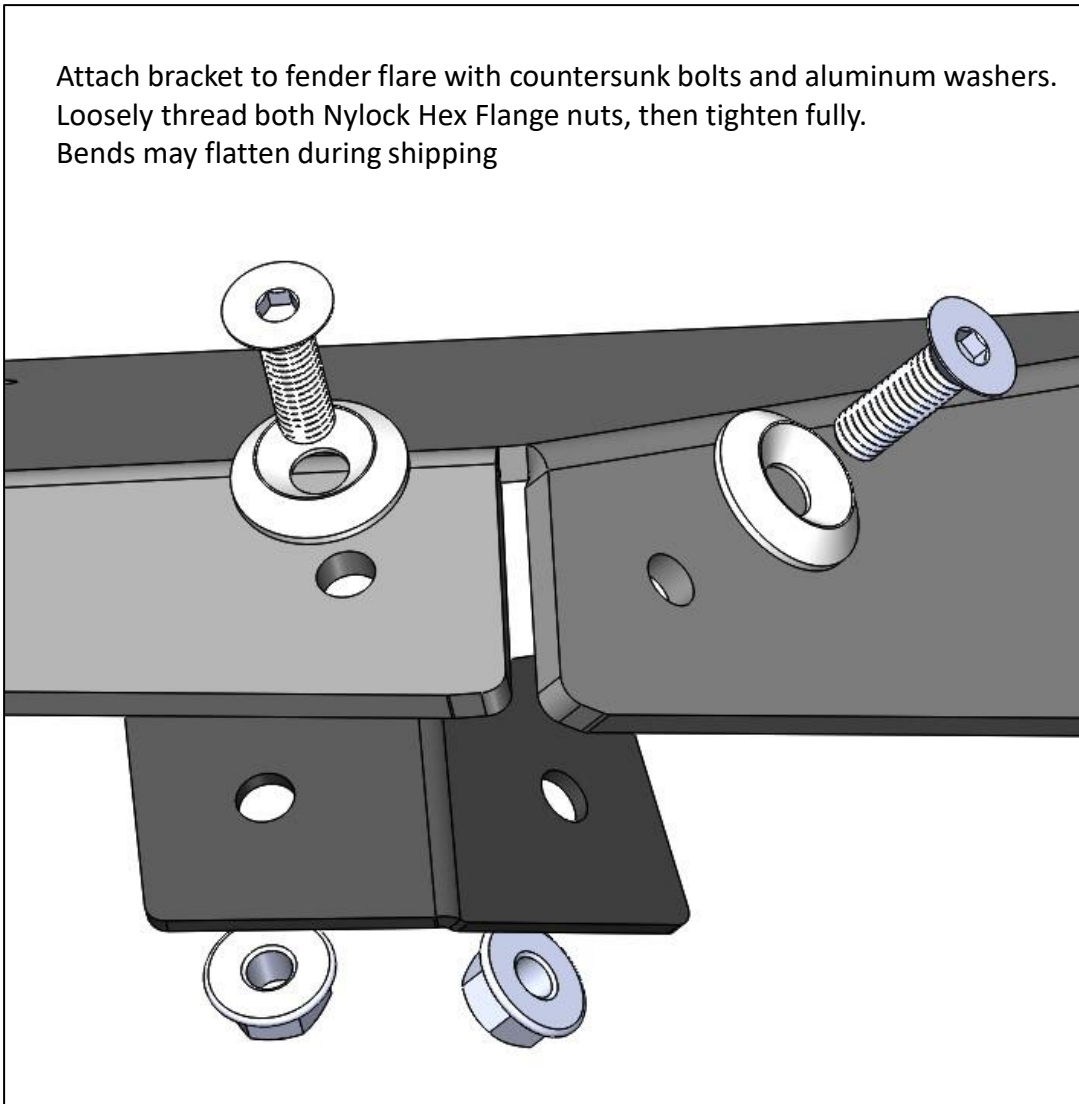
Metal Bracket, go to page 3



Remove stock fastener and re-install with fender flare

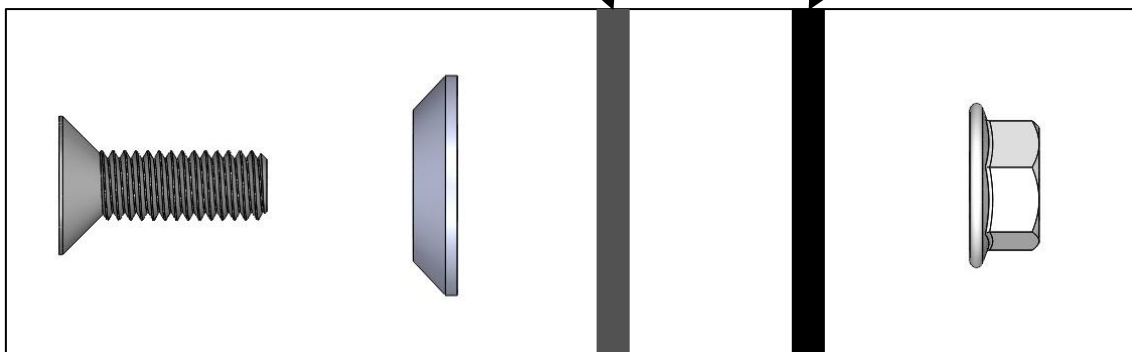
## Install all brackets

Attach bracket to fender flare with countersunk bolts and aluminum washers.  
Loosely thread both Nylock Hex Flange nuts, then tighten fully.  
Bends may flatten during shipping

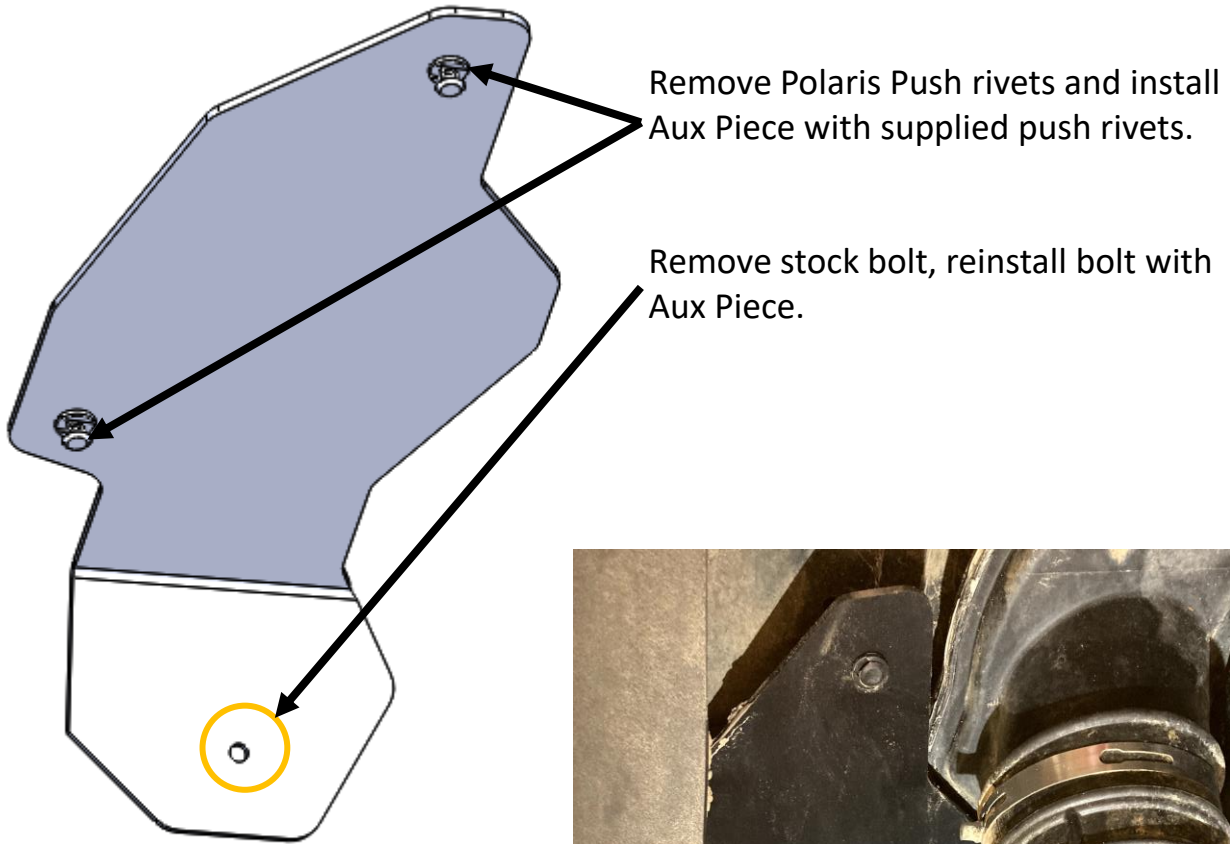


Fender Flare

Metal Bracket

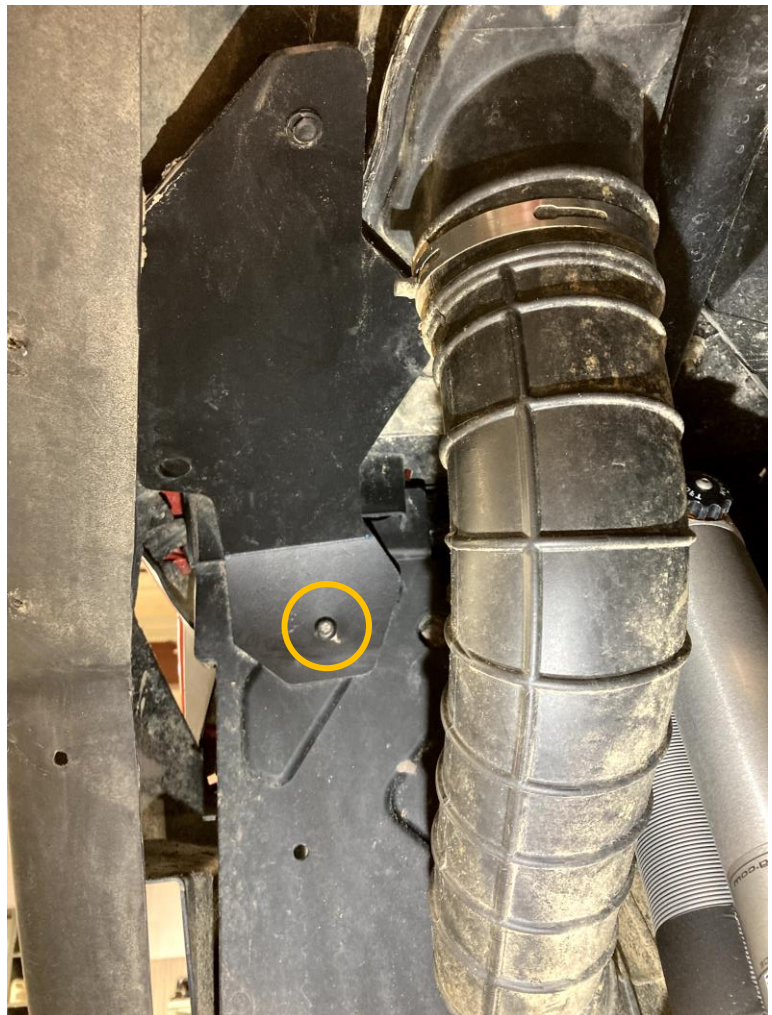


## Aux Piece

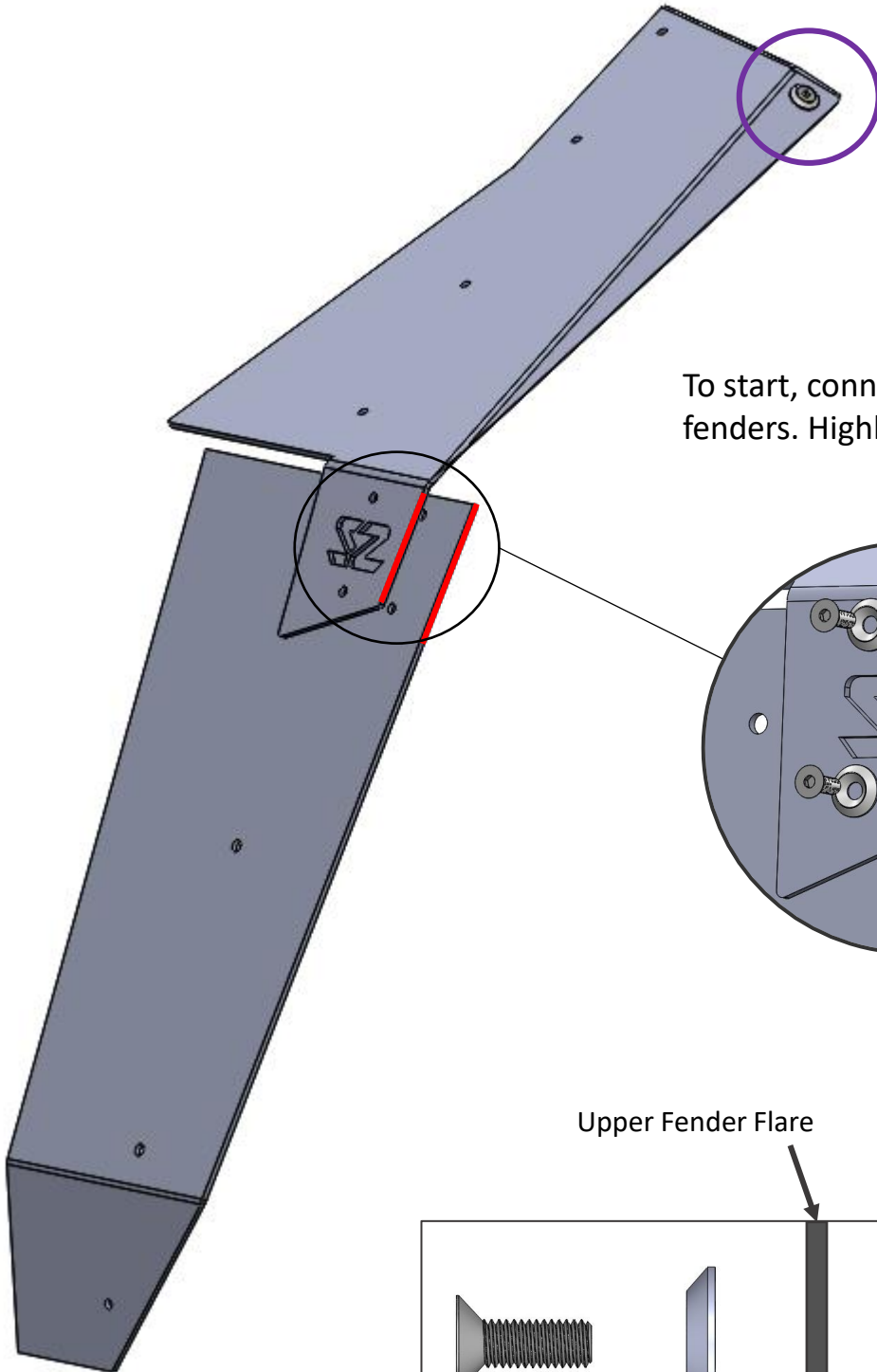


You may need to hand bend this piece as it may relax during shipping.

Inside of vehicle



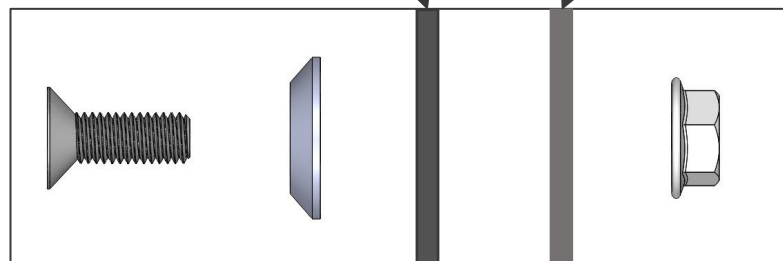
## Rear Fender Flare



To start, connect upper and lower rear fenders. Highlighted edges should line up.

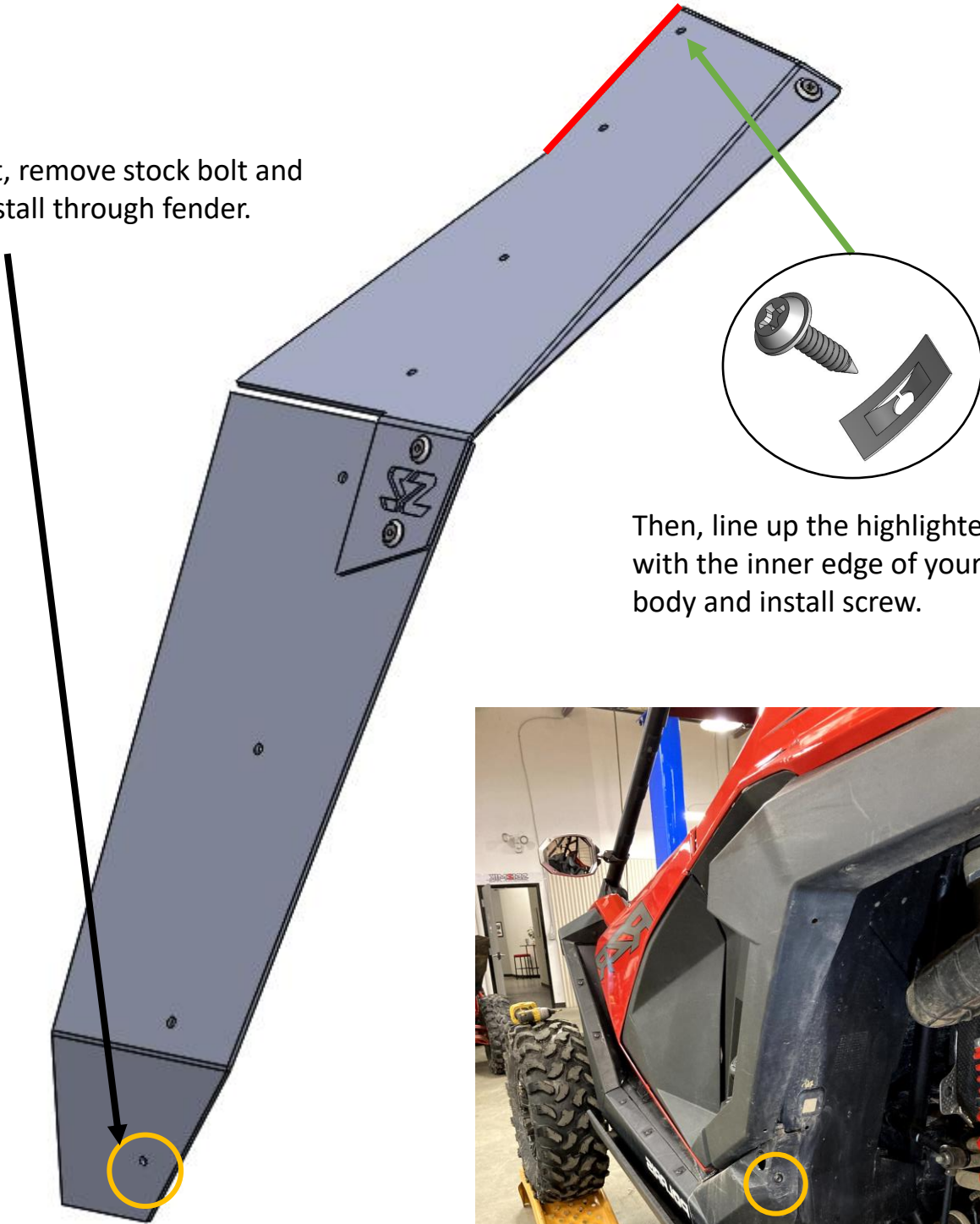
Upper Fender Flare

Lower Fender Flare



## Rear Fender Flare

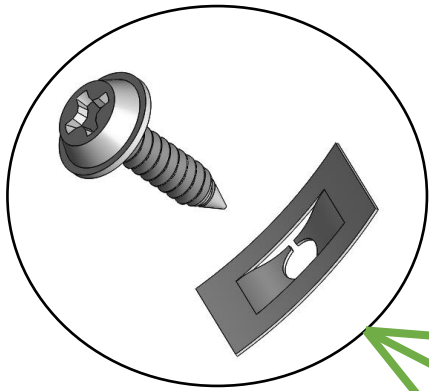
Next, remove stock bolt and reinstall through fender.



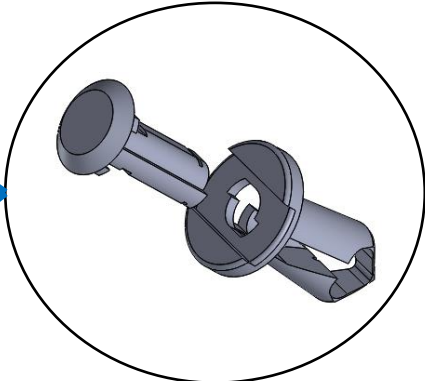
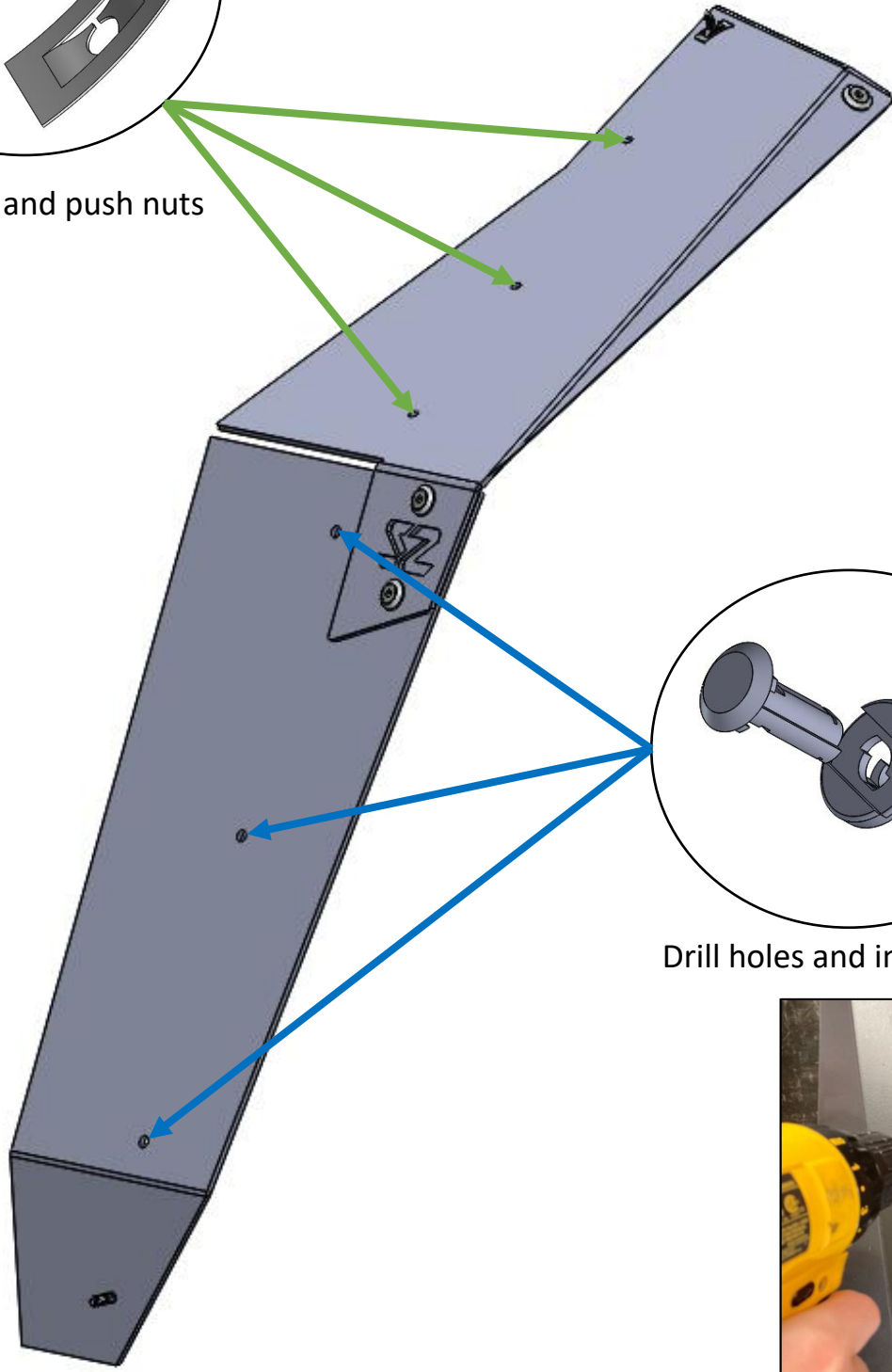
Then, line up the highlighted edge with the inner edge of your vehicles body and install screw.



## Rear Fender Flare



Install screws and push nuts

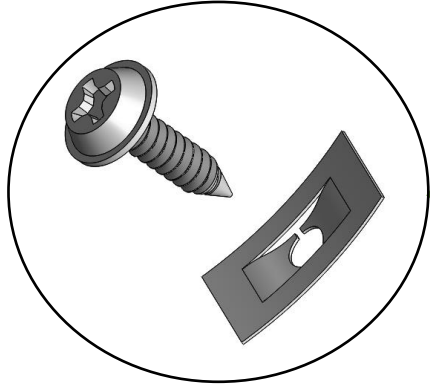


Drill holes and install push rivets



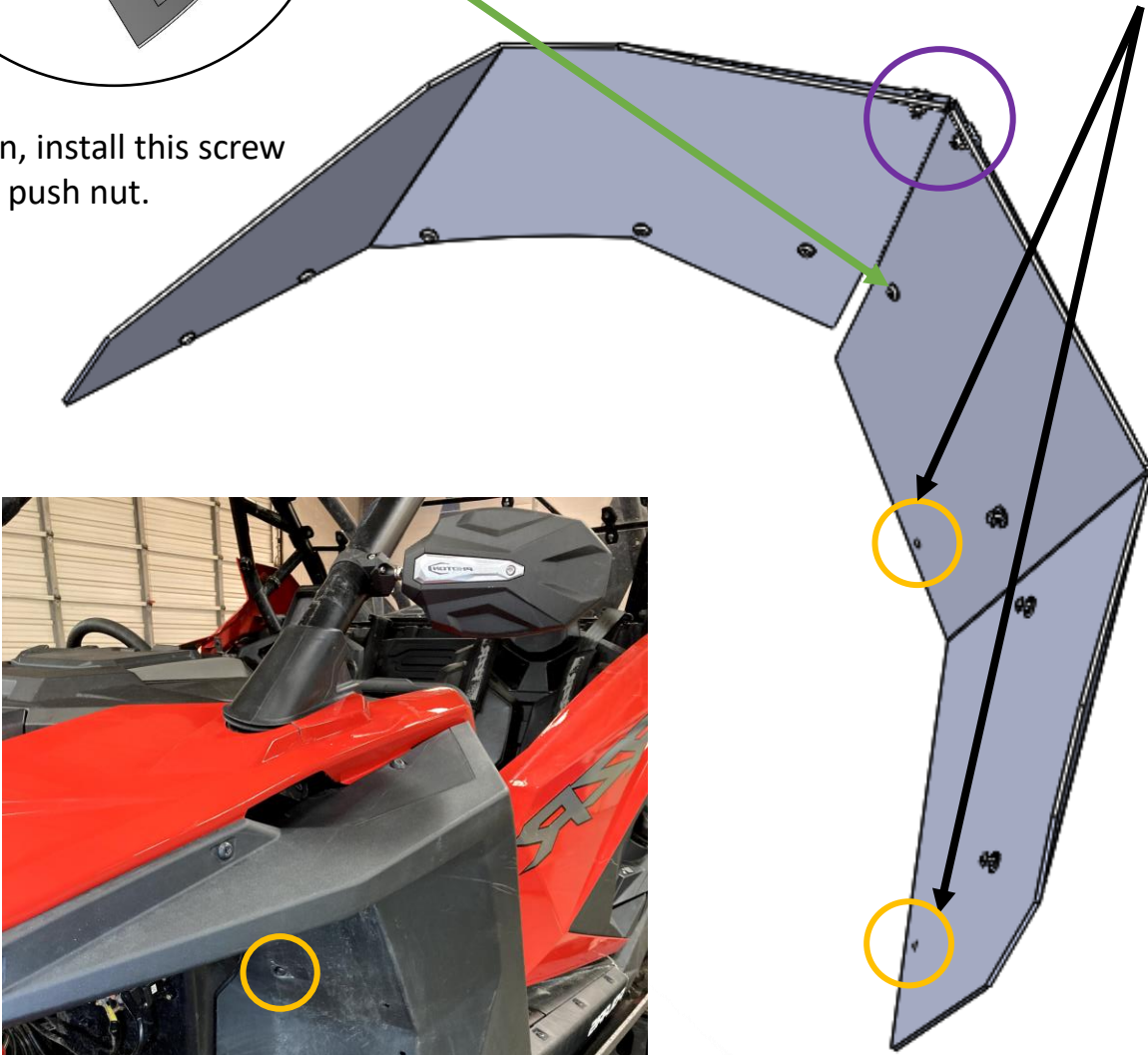


## Front Fender Flare



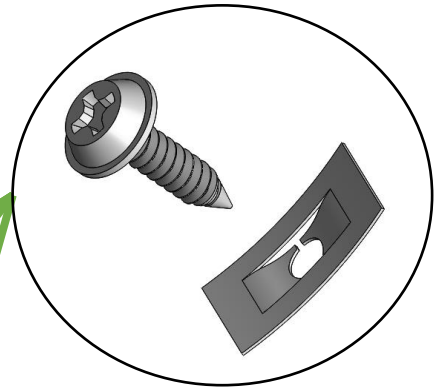
Then, install this screw and push nut.

First, remove these two stock bolts from vehicle body, reinstall with Fender Flare

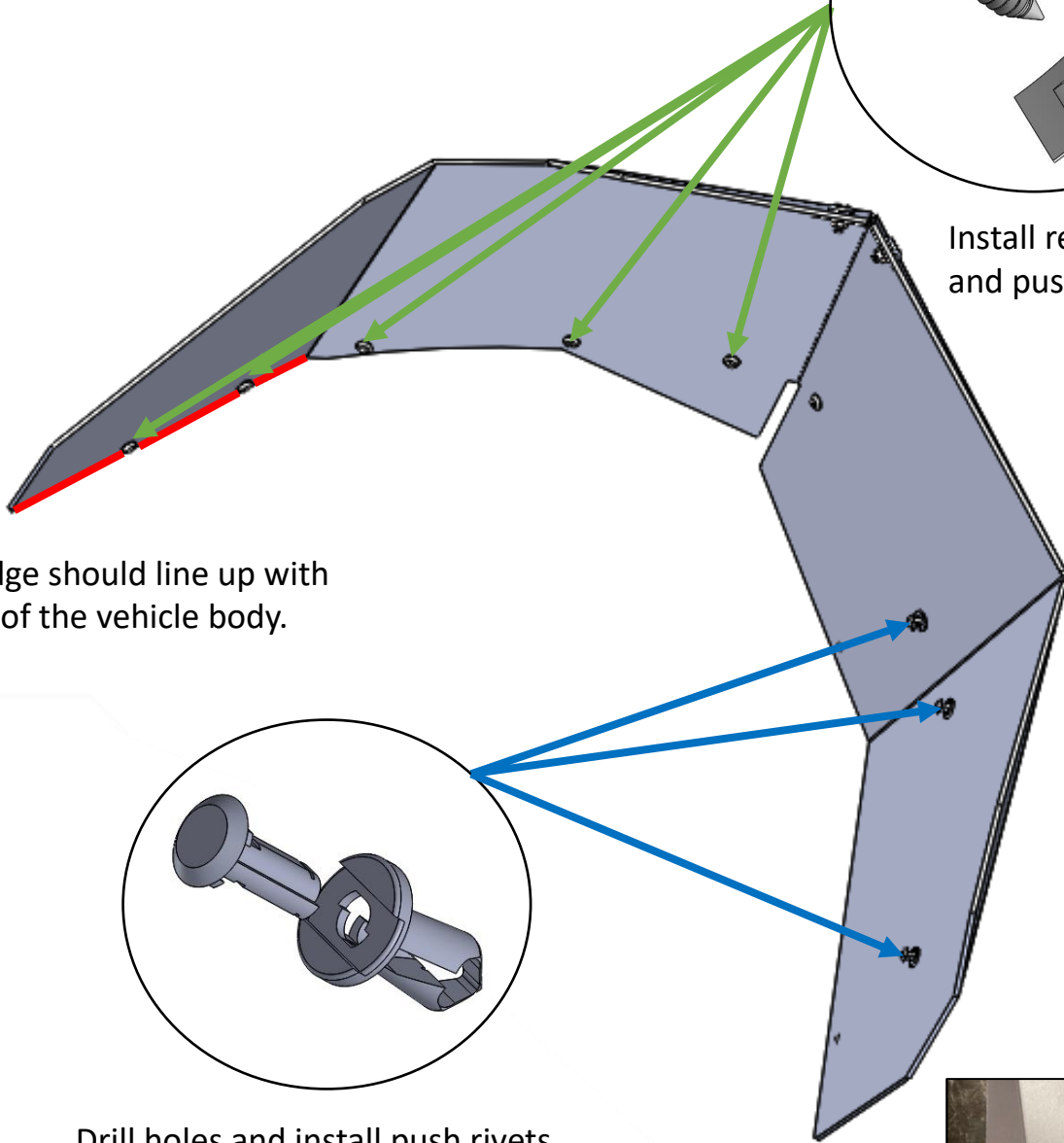


← Front of Vehicle

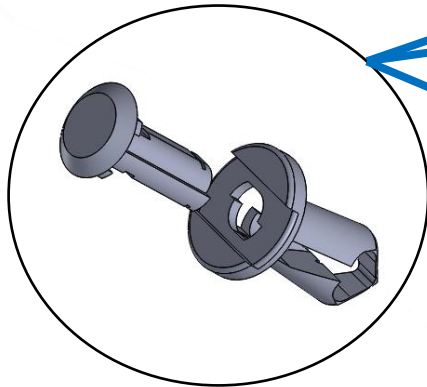
## Front Fender Flare



Install remaining screws and push nuts



The red edge should line up with the inside of the vehicle body.



Drill holes and install push rivets

← Front of Vehicle

