



**INSTALLATION INSTRUCTIONS
POLARIS RANGER XP900
FULL MULTIVENTS WINDSHIELD
PART # 77-9525**

IMPORTANT NOTICES

READ AND UNDERSTAND THESE INSTRUCTIONS COMPLETELY BEFORE INSTALLATION TO AVOID INJURY TO YOURSELF, DAMAGE TO THE VEHICLE OR ACCESSORY.

- For proper installation, **TWO** people are required.
- Torque specifications must be followed when tightening bolts. Over-tightening any and/or all screws will cause cracks around mounting holes which is not covered by any warranty.
 - As specified on carton label, once protective film on shields is removed, product cannot be returned.
- As specified on carton label, damage caused by packaging staples is not covered by warranty. All staples must be removed prior to removing product from carton.
- Failure to follow these installation instructions completely may void any warrantable components and result in product damage or personal injury.
- Do not use Loctite or any other similar fastener adhesive. These types of products react to plastics and cause cracking. Not covered by any warranty.
- Our windshields are made from the highest quality material providing optimum transparency and clarity. Blurriness and/or extrusion marks may or may not appear when looking through windshield from a wide, side-angle. This is normal for all extruded clear plastic materials.
- The application of improper cleaners, abrasive and/or dirty cleaning towels can severely damage the product. Failure to follow cleaning recommendation (provided herewith) may void any warrantable components.

DEALER

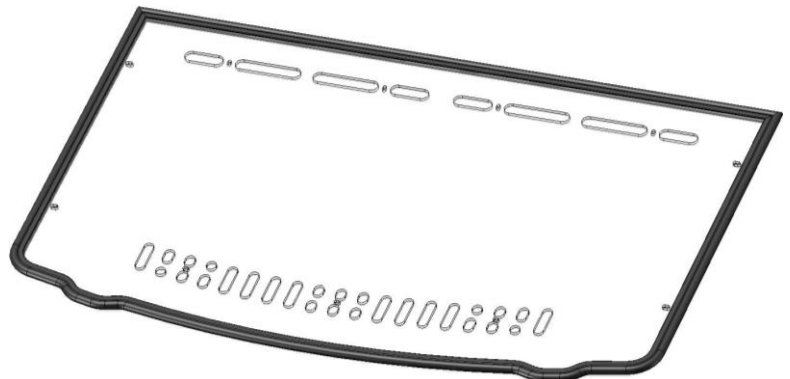
These instructions contain important information for future reference and must be given to the customer at time of purchase or upon completion of installation.

Parts List (parts available with kit only and not available separately)

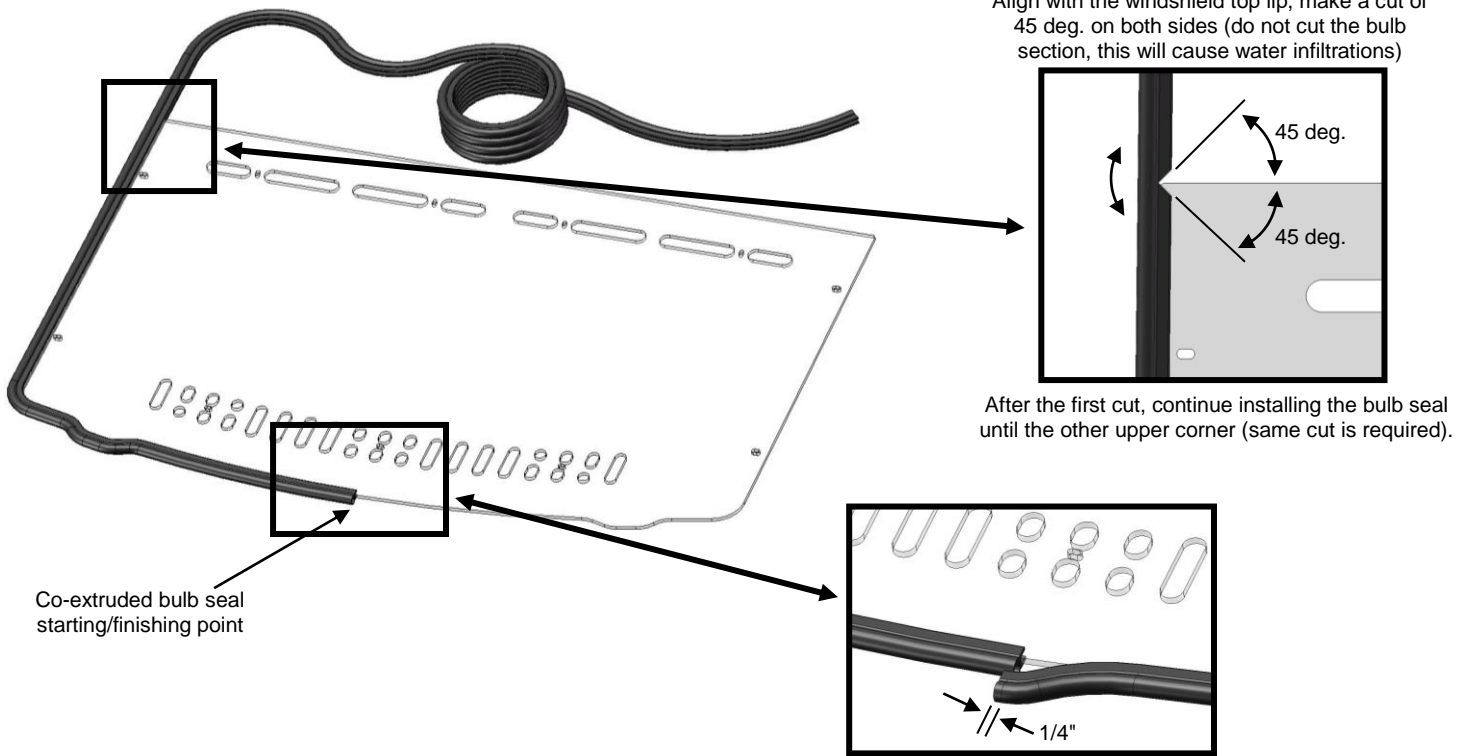
ITEM	PART NAME	DESCRIPTION	QTY
A	Windshield	CNC windshield cut-out made of 1/4" thick GE MR10 polycarbonate or equivalent	1
B	Co-extruded bulb seal	Includes: 162" Co-extruded bulb seal [end user to cut to exact length]	1
C	Upper vent grill	CNC vent grill cut-out made of 3/16" tinted polycarbonate	2
D	Lower vent grill	CNC vent grill cut-out made of 3/16" black polyethylene	1
INSTRUCTION BAG	E	Vent hardware Includes: 7 carriage bolts M6 x 30, 7 thin plastic washers, 14 plastic washers M6, 7 rubber washers M6 and 7 female thread knobs M6	1
	F	Windshield Hardware Includes: 4 metal plate hooks, 4 washers M6 x 25 and , 4 knobs M6 x 16	1

1. Installation

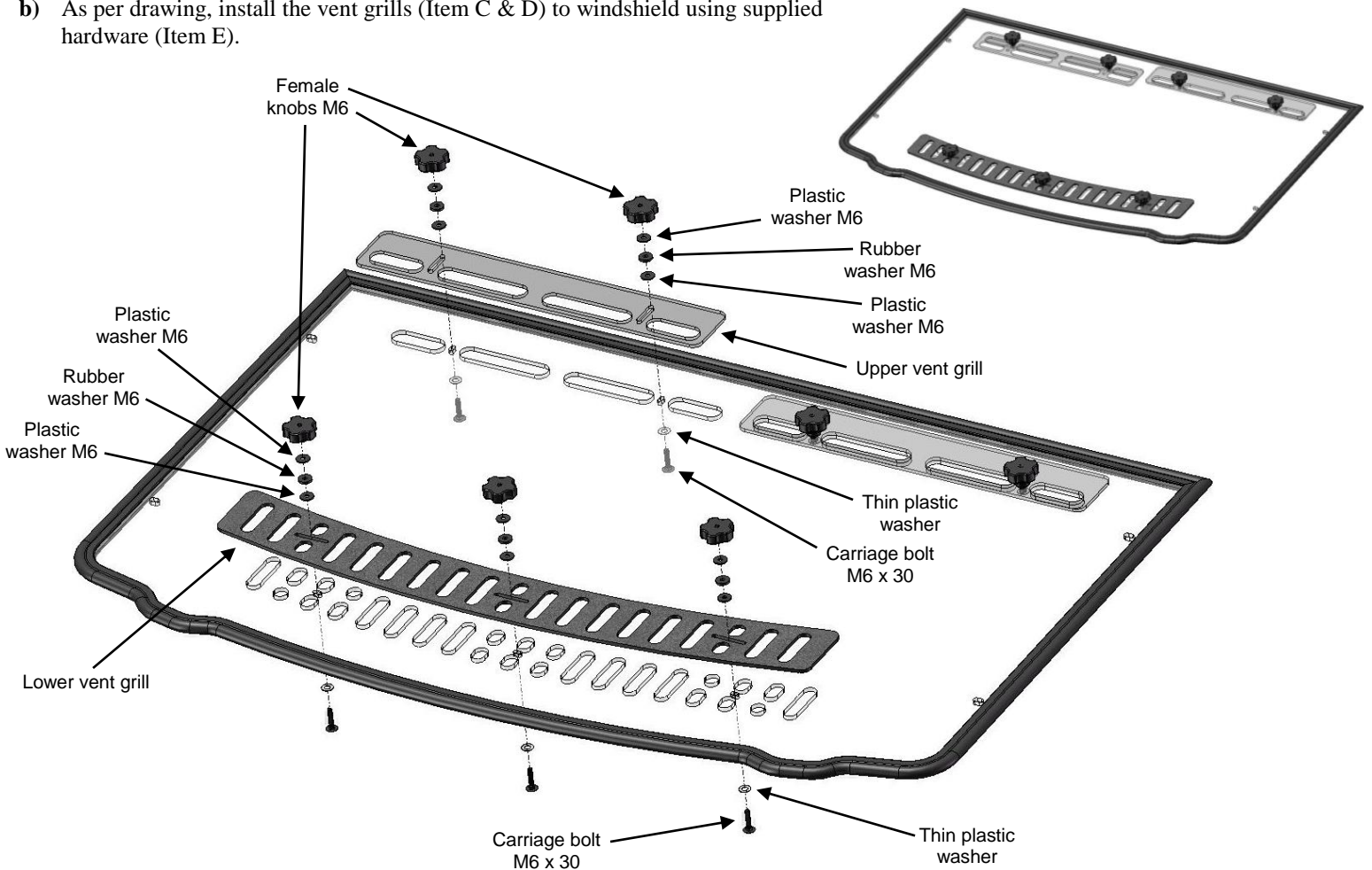
- a) Find a clean flat area where you can lay down the windshield (Item A). Partially remove the protective film on both sides and apply the co-extruded bulb seal starting at bottom center of the windshield (as shown on page 2) using manual pressure to ensure good adhesion.



- Special cuts are required on each upper corner. For proper installation, follow instructions of images below (the seal has an internal steel structure, a steel cutter is required). At the start/finish of the bulb seal, cut an extra 1/4" more than required. This will ensure a tight fit between the start and finish of the bulb seal.



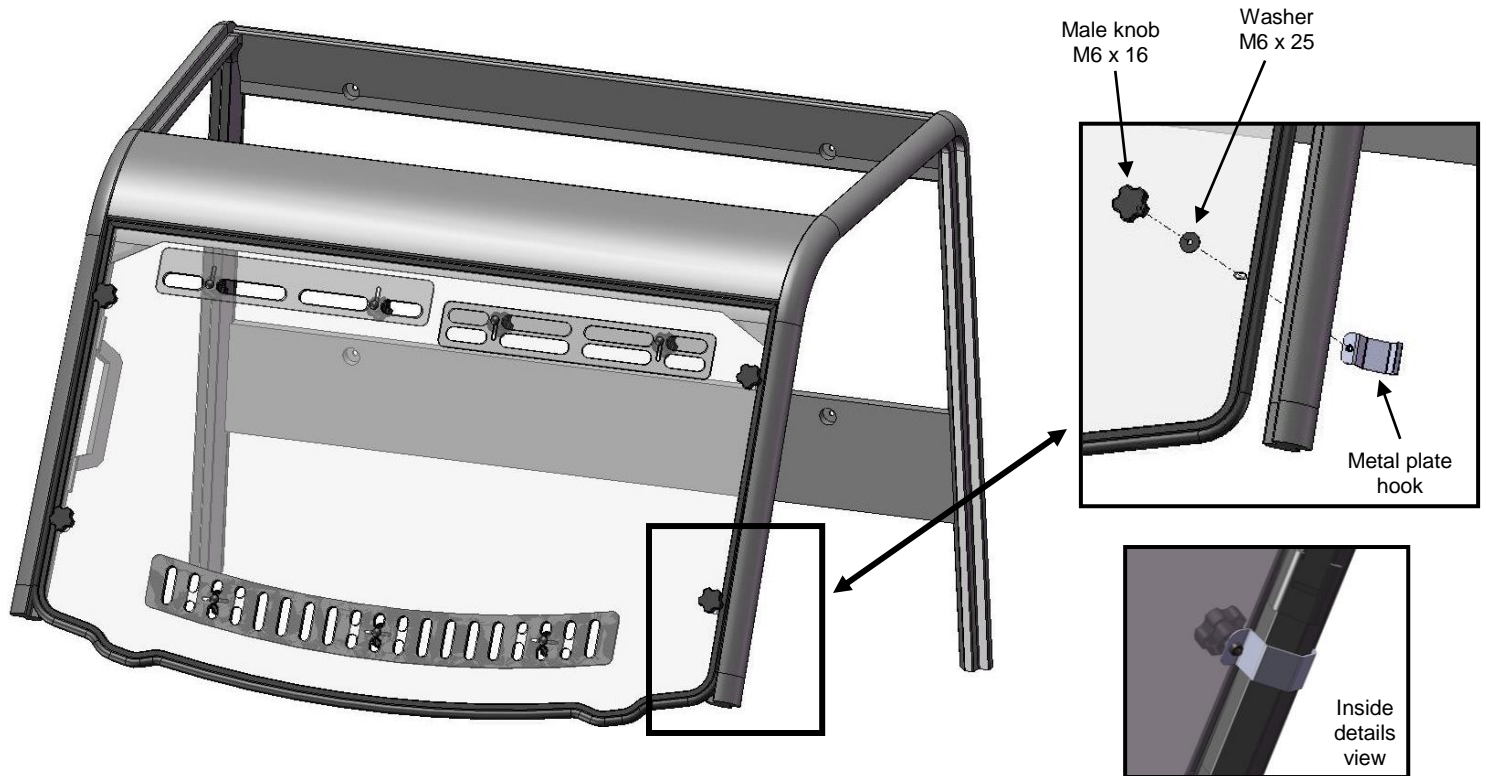
b) As per drawing, install the vent grills (Item C & D) to windshield using supplied hardware (Item E).



IMPORTANT NOTICES

Over-tightening any and/or all screws will cause cracks around mounting holes which is not covered by any warranty.

- c) Install the windshield to the vehicle using supplied hardware (Item F). Adjust the position of the windshield and tighten.
Caution: over tightening any hardware could cause irreversible damage to the windshield.



2. Maintenance and Care

Tighten all hardware after first use and periodically thereafter.

CLEANING:

- Rinse with lukewarm water; wash gently with mild soap or detergent and lukewarm water, using a soft cloth or sponge. **DO NOT SCRUB** or use brushes or squeegees.
 - Rinse again. Dry with soft cloth or moist cellulose sponge to prevent water spotting.
- To remove wet paint, glazing compound or grease, rub lightly with a good grade of VM&P naphtha or isopropyl alcohol, then wash and rinse. **DO NOT USE GASOLINE.**

NOTICE: Abusive cleaning procedures by hand washing or automated washing equipment will eventually result in visual hazing, loss of light transmission and coating delamination.

Compatible Cleaning Agents

- Aqueous Solution of Soaps and Detergents

Fantastik | Joy | Formula 409 | Mr. Clean | Top Job | VM&P grade Naphtha | Hexcel, F.O. 554 | Neleco-Placer