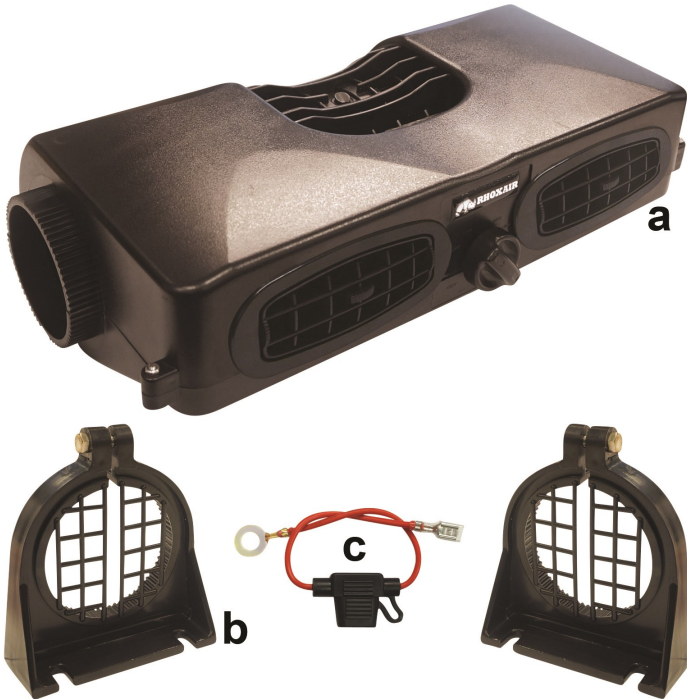




RHOBX

Rugged parts for your ride.

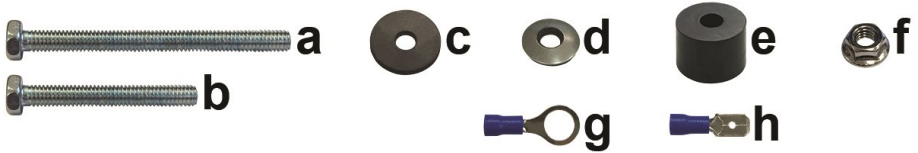
ACC-1512 and ACC-1548 RHOBXAir Golf Car Cabin Cooling Fan Installation Instructions



Contents of RHOBXAir Kit:

- a (1 ea.) RHOBXAir Cabin Cooling Fan
- b (2 ea.) Mounting Brackets
- c (1 ea.) Waterproof In-Line Fuse
- d (1 ea.) Box of Hardware (Contents on Next Page)

Caution: Please read through the instructions carefully. Before starting this project, remove the system's positive and negative connections from the battery or battery pack. This kit is designed for 12V (ACC-1512) or 48V (ACC-1548) operation only. Operating this kit at a higher voltage will void any and all warranties. This installation involves drilling into your carts top or floor. Look behind each drill location **BEFORE YOU DRILL**. Installer is responsible for damage (i.e. drilling into a wiring harness, battery, fuel tank etc.). Safety glasses should be worn at all times.



Contents of ACC-1512/1548 Hardware Kit		Qty.
a	6mm-1.0 x 70 Hex Head Bolts	4
b	6mm-1.0 x 45 Hex Head Bolts	4
c	6mm Rubber Flat Washers	8
d	6mm Metal Bonded Sealing Washers	8
e	6mm x 13mm Thick Rubber Spacers	6
f	6mm-1.0 Serrated Flanged Locknuts	8
g	16-14 ga. Ring Terminal	1
h	16-14 ga. Male Spade Connector	1
i	Wire Ties	6

Tools Needed for Installation

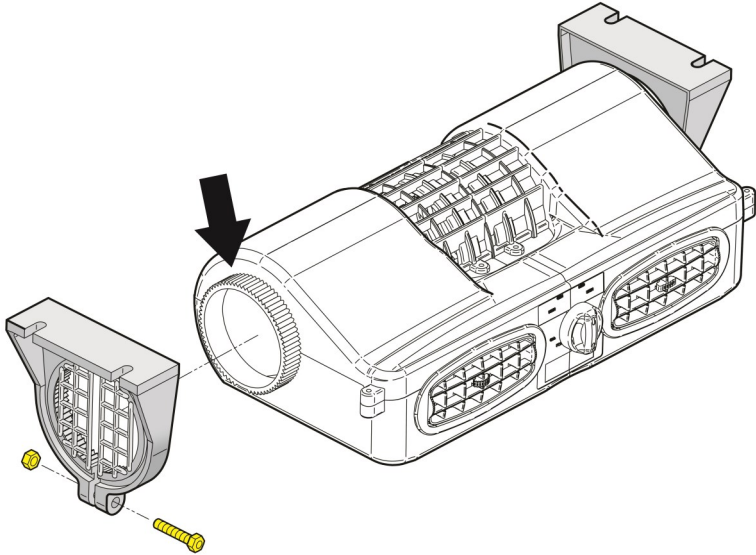
- Drill with 1/4" and 3/8" Drill Bits
- Sockets and Wrenches (10mm)
- Oscillating Tool or Reciprocating Saw with a Blade designed for Metal
- Wire Crimpers
- Wire Strippers
- Voltage Meter
- Marking Device
- Paint Pen to Match Struts
- Tape Measure

Before You Start

1. Turn Key OFF.
2. Place Tow/Run Switch in Tow if equipped.
3. Remove the system's positive and negative connections from the battery or battery pack.
4. Engage the parking brake.

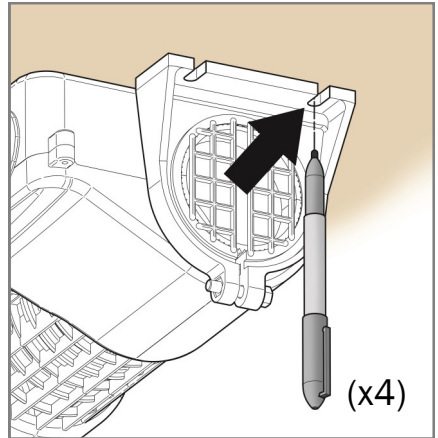
Installation on Top

1. Press the mounting brackets onto the sides of the fan, making sure they are in the same position. Hand tighten the hardware to secure the brackets in place.



2. Locate an area on the top to install the fan. Use a tape measure to make sure the fan is centered and the brackets are square. Once the fan is in the desired location, mark the center of the (4) mounting holes with a marking device.

NOTE: An extra installer is helpful on this step. If one is not available, remove the top from the cart for an easier installation.

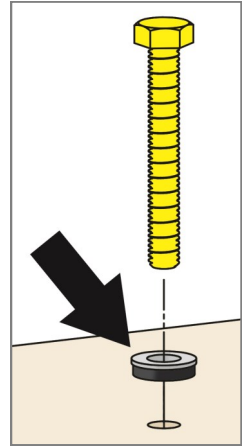


3. Use a 1/4" drill bit to drill through the top at the (4) marked hole locations.

4. Insert (4) Hex Head Bolts* and (4) 6mm Metal Bonded Sealing Washers into the upper side of the top, rubber side of the washer down.

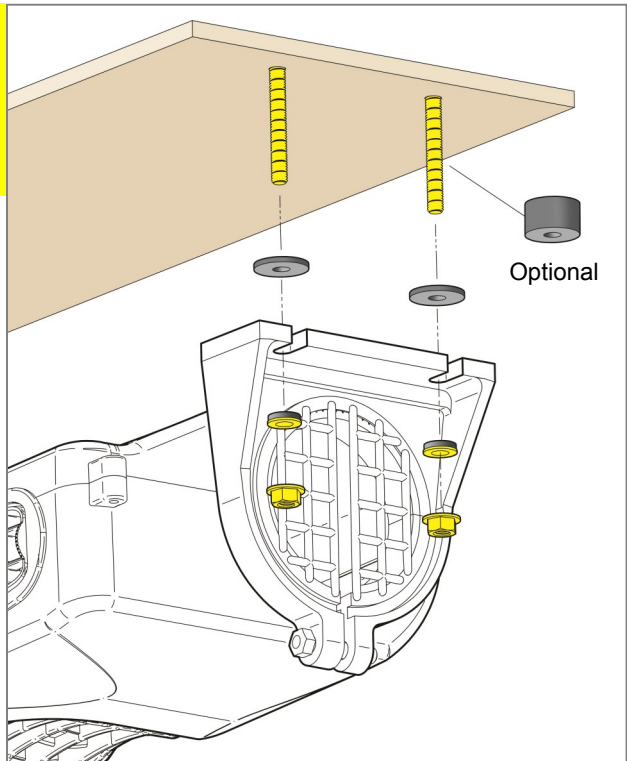
* Most tops will use (4) 6mm x 45 Hex Head Bolts.

* E-Z-Go TXTs use (4) 6mm x 70 Hex Head Bolts.

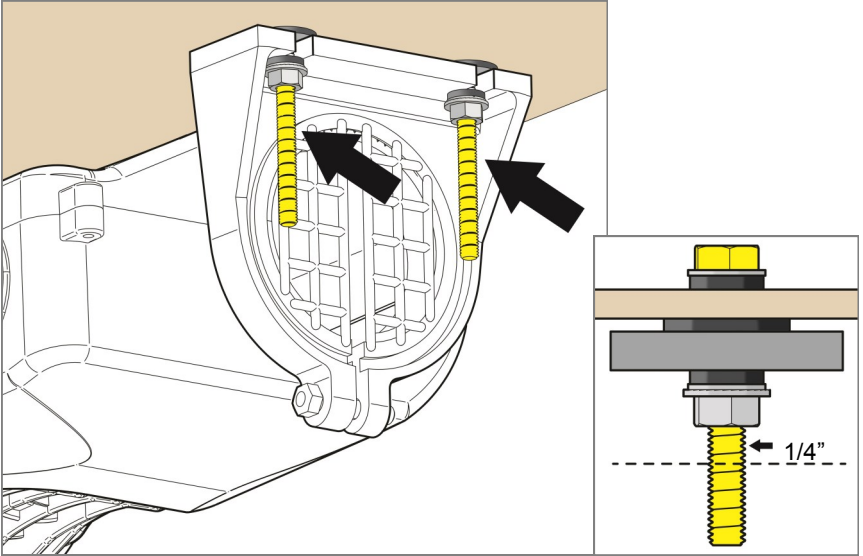


5. Place the (4) Rubber Washers between the top and the fan as shown. Install the RHOXAir fan to the top using (4) 6mm Serrated Flanged Locknuts and (4) 6mm Metal Bonded Sealing Washers. Use the 6mm x 13mm Thick Rubber Spacers to provide more angle if needed. Hand tighten hardware.

CAUTION: Do not overtighten hardware as it can cause damage to the top and/or the RHOXAir mounting brackets.



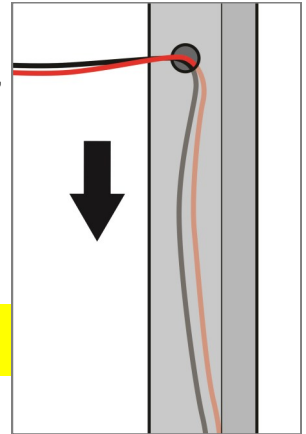
- Use an oscillating or reciprocating saw to trim off any excess bolt length from the (4) mounting bolts. Leave at least a 1/4" of exposed threads on the bolt.



- Run the wires from the fan to the cart by securing them to the strut with wire ties **OR** for a cleaner look, the wires can be run through the strut.

To run the wires through the strut, drill a 3/8" hole through one side of the strut. File any rough edges and cover any exposed metal with a paint pen. Slowly and carefully run the wires into the new hole and down the strut until they reach the cart.

CAUTION: Sharp edges can damage the wire's insulation. Work slowly and carefully.

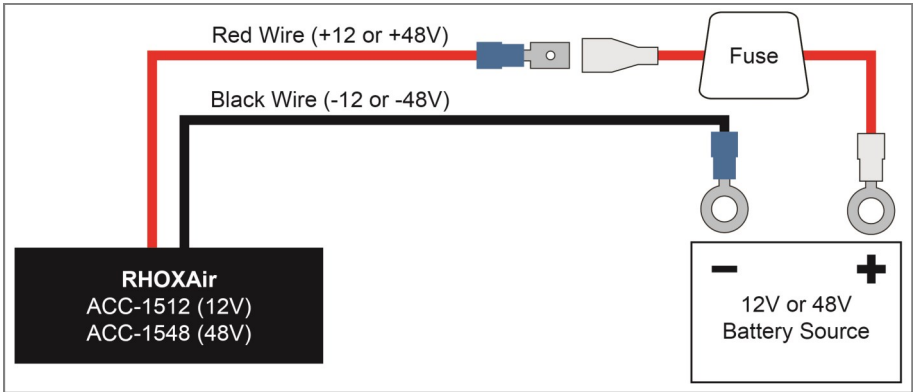


- Make sure the wires can reach the power source. Trim off any excess length if needed. Attach the Male Spade Connector to the red wire (+12V or 48V) coming out of the fan. Attach the Ring Terminal to the black wire (-12 or 48V).



9. Connect the RHOXAir to the in-line fuse and power source as shown.

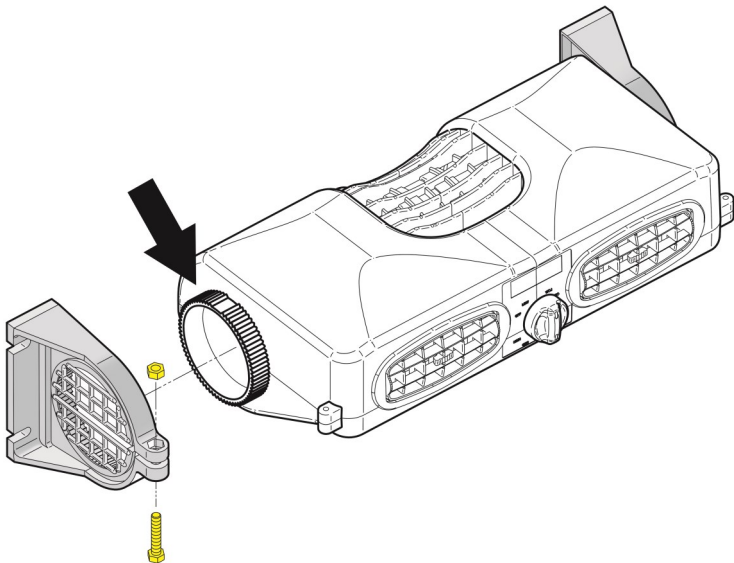
NOTE: A voltage reducer is required if using the ACC-1512 with an 8V battery configuration. A voltage reducer is recommended if installing the ACC-1512 on a 36V or 48V cart.



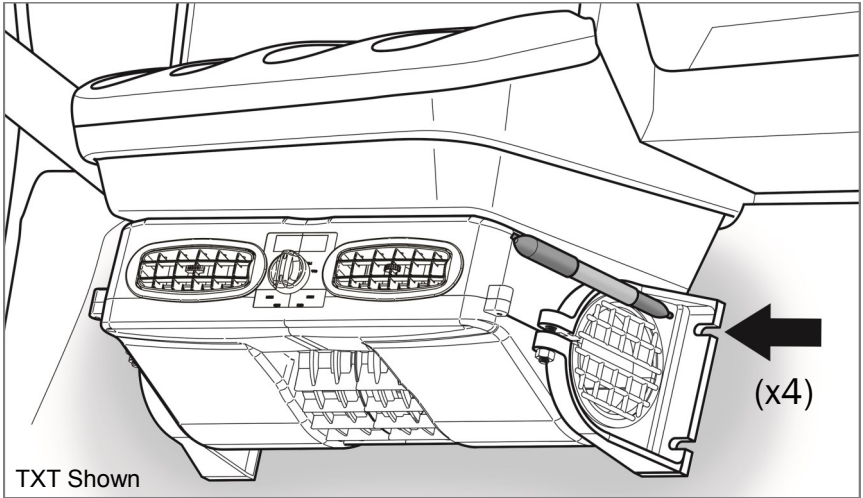
10. Use wire ties to secure any loose wires close to the cart and away from any moving parts.

Installation on Floor (E-Z-Go TXT and Star Carts)

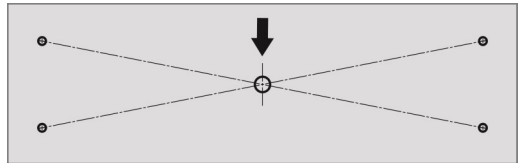
1. Press the (2) mounting brackets onto the sides of the fan as shown, making sure they are in the same position. Hand tighten the hardware to secure the brackets in place.



- Place the fan in the desired mounting location. This location should be as far up on the floor board as possible. Once the fan is in the correct location, mark the center of the (4) mounting holes with a marking device.



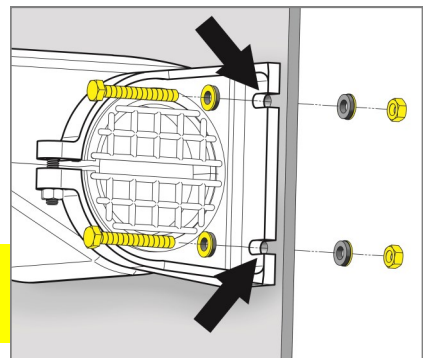
- Using a marking device, mark a hole location in the center of the (4) marked holes. This will be used to route the wires into the battery compartment.



- Drill the (4) mounting holes with a 1/4" drill bit. Drill the center hole with a 3/8" drill bit. Drill completely through the floorboard. File any rough edges.

NOTE: Always look for obstructions behind each drill location before you drill (i.e. wiring harnesses, batteries etc.). Always wear eye protection when drilling.

- Push the wires through the center hole. Secure the fan to the floor using (4) 6mm x 45 Hex Head Bolts, (8) 6mm Metal Bonded Sealing Washers (rubber side of the washer facing the fan mounting brackets) and (4) 6mm Serrated Flanged Lock Nuts. Hand tighten.



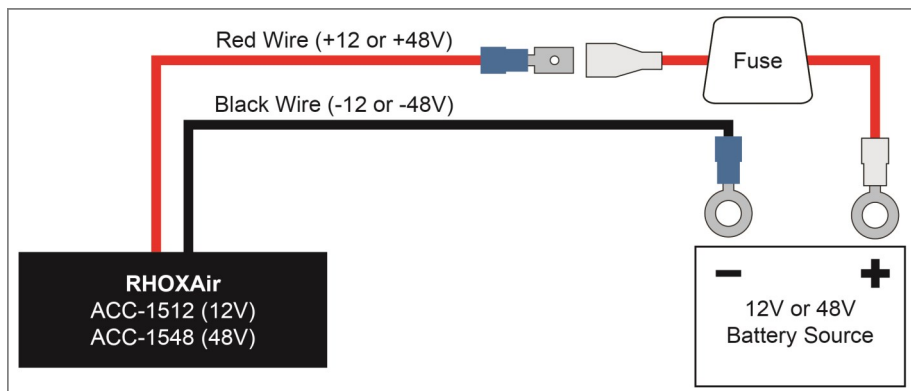
CAUTION: Do not overtighten hardware as it can cause damage to the floor and/or the RHOXAir mounting brackets.

- Run the wires to the battery compartment. Use wire ties to secure them to the underbody and away from any moving parts.
- Make sure the wires can reach the power source. Trim off any excess length if needed. Attach the Male Spade Connector to the red wire (+12V or 48V) coming out of the fan. Attach the Ring Terminal to the black wire (-12 or 48V).



- Connect the RHOXAir to the in-line fuse and power source as shown.

NOTE: A voltage reducer is required if using the ACC-1512 with an 8V battery configuration. A voltage reducer is recommended if installing the ACC-1512 on a 36V or 48V cart.



- Secure any remaining loose wires with wire ties.

Your RHOXAir Fan is now complete.
Please enjoy safely!

Scan QR code or use the link below to view the installation video.
<https://vimeo.com/user39935056>

